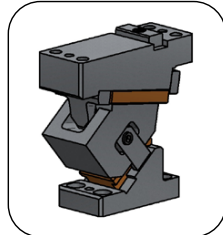


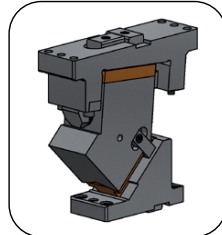


**ASGN**  
Aerial cam for pierce

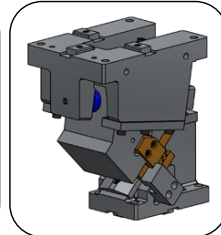
**General information**



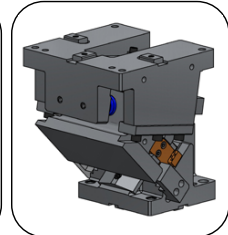
**ASGN 0050  
ASGN 0065**



**ASGN 0080**



**ASGN 0150**

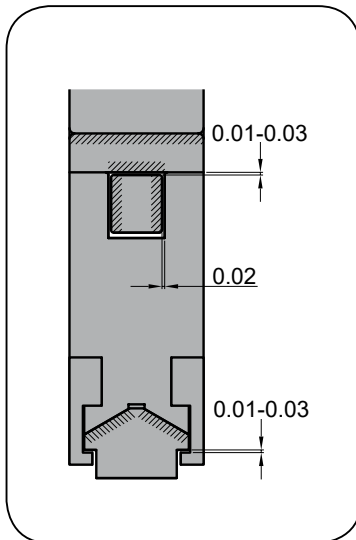


**ASGN 0200  
ASGN 0300**

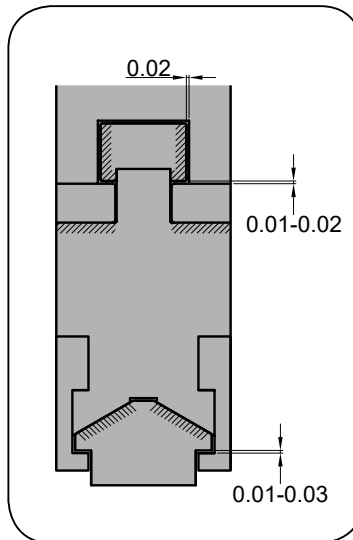
- Aerial cam.
- Angles from 0° to 65° with increments of 5°. (0° to 75° for ASGN 50) (0° to 60° for ASGN 65).
- "V" shaped sliding for auto-centered.
- Slider easy desassembly from the rear. (Except ASGN 0050 y 0065).

**Adjustment clearances**

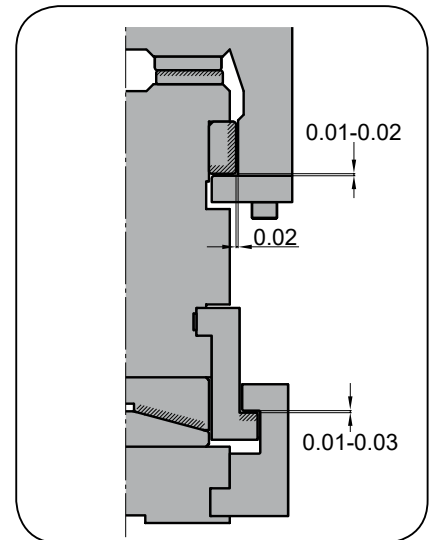
**ASGN 0050 / 0080**



**ASGN 0065**



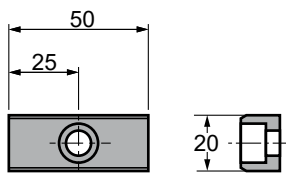
**ASGN 0150 / 0200 / 0300**



**Keys**

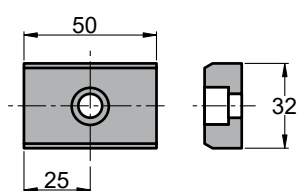
**K**

**ASGN 0050 / 0065**



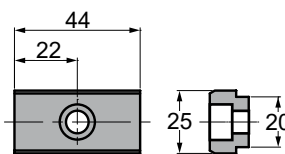
**K**

**ASGN 0080 / 0150 / 0200 / 0300**



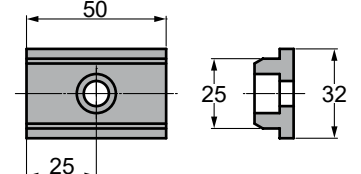
**KU**

**ASGN 0050 / 0065**



**KU**

**ASGN 0080 / 0150 / 0200 / 0300**



**ASGN**

Aerial cam for pierce

**AZOL  
GAS** 

## Assembling and disassembling

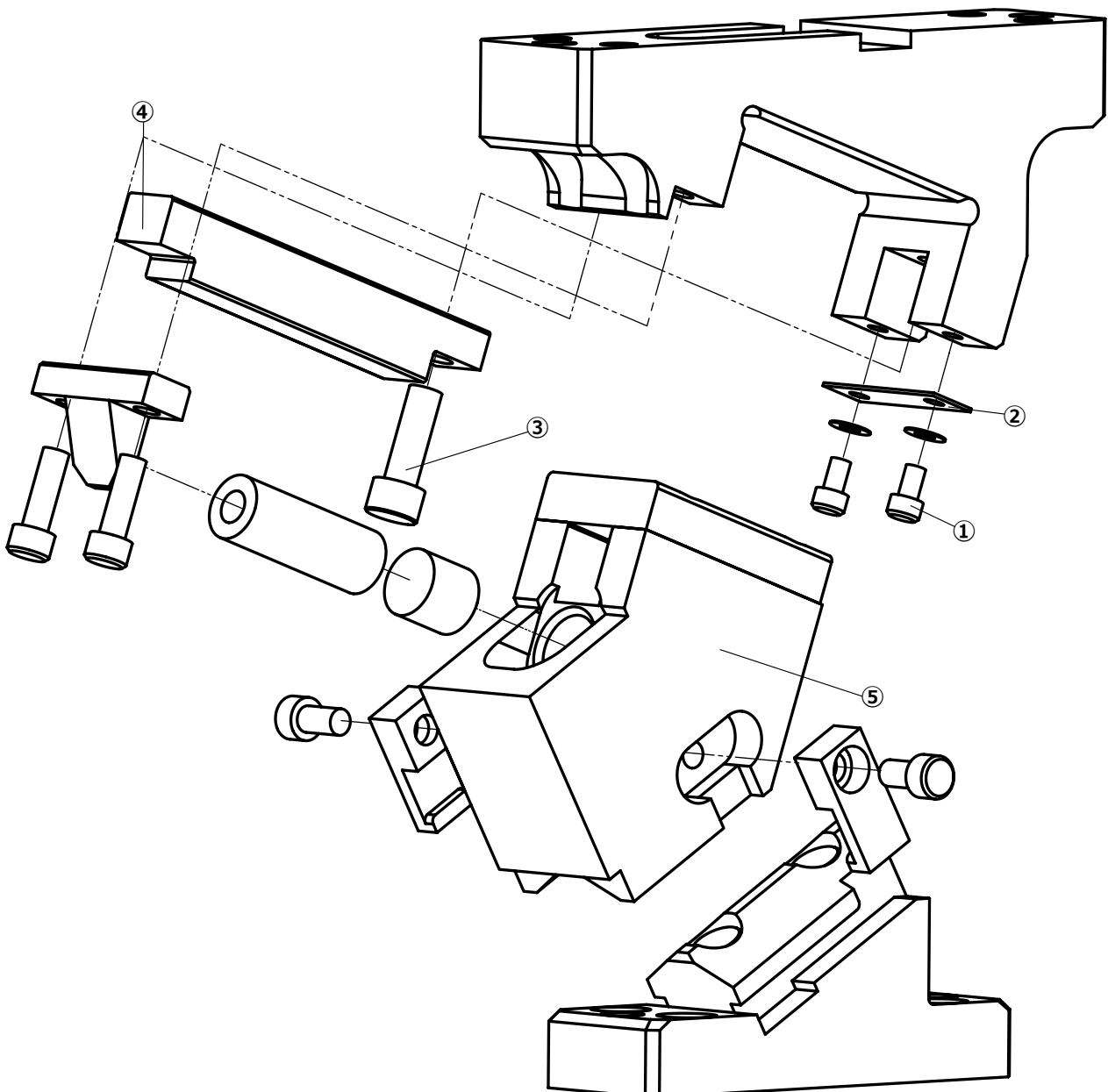
### ASGN 0050 / 0080

#### Disassembling process

- Unscrew ① pieces and remove security plate ②.
- Unscrew ③.
- Push guide bar ④ and remove cam slider ⑤.

#### Assembling process

- Make sure that there are no metal shaving or impurities.
- The clearance between the cam holder and slider is controlled.
- Match the serial numbers marked in each part before assembly.
- Make sure that all the screws have been used.



**ASGN**

Aerial cam for pierce

**AZOL  
GAS** 

## Assembling and disassembling

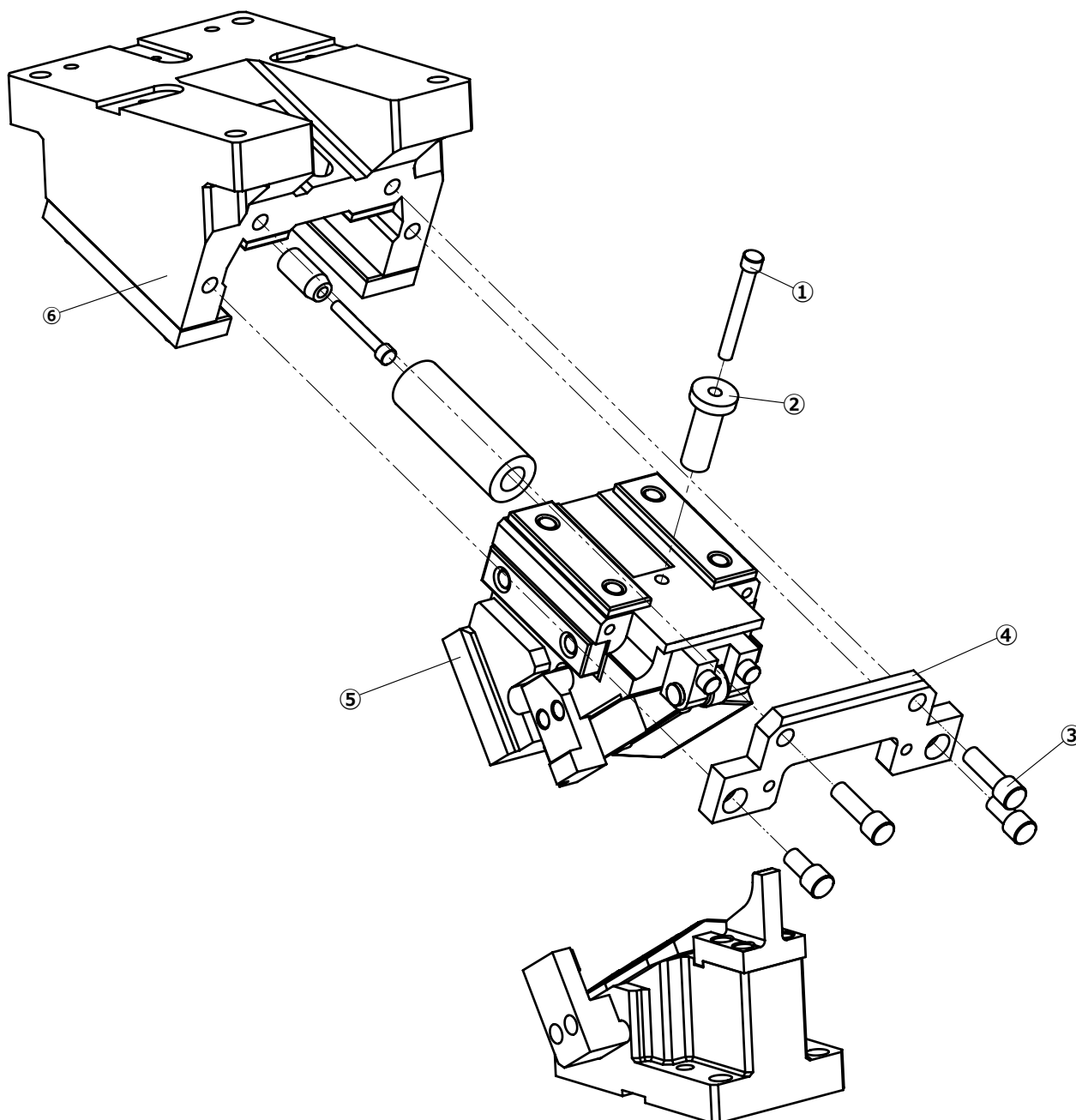
### ASGN 0150 / 0200 / 0300

#### Disassembling process

- Unscrew ① pieces and remove security guide shaft ②.
- Unscrew ③ and remove stoper plate ④.
- Remove cam slider ⑤ on cam support ⑥ from the rear.

#### Assembling process

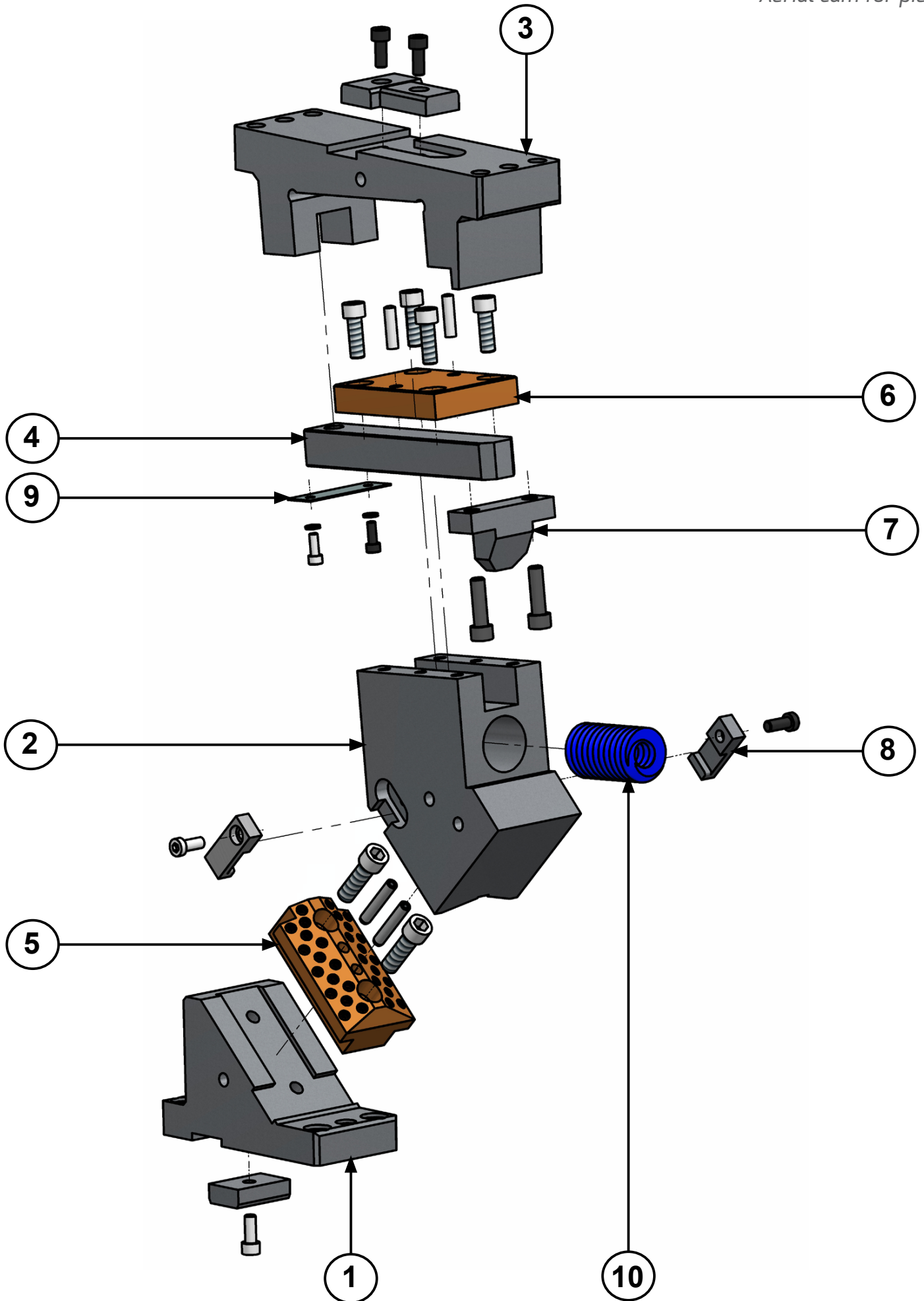
- Make sure that there are no metal shaving or impurities.
- The clearance between the cam holder and slider is controlled.
- Match the serial numbers marked in each part before assembly.
- Make sure that all the screws have been used.





# ASGN 0080

*Aerial cam for pierce*

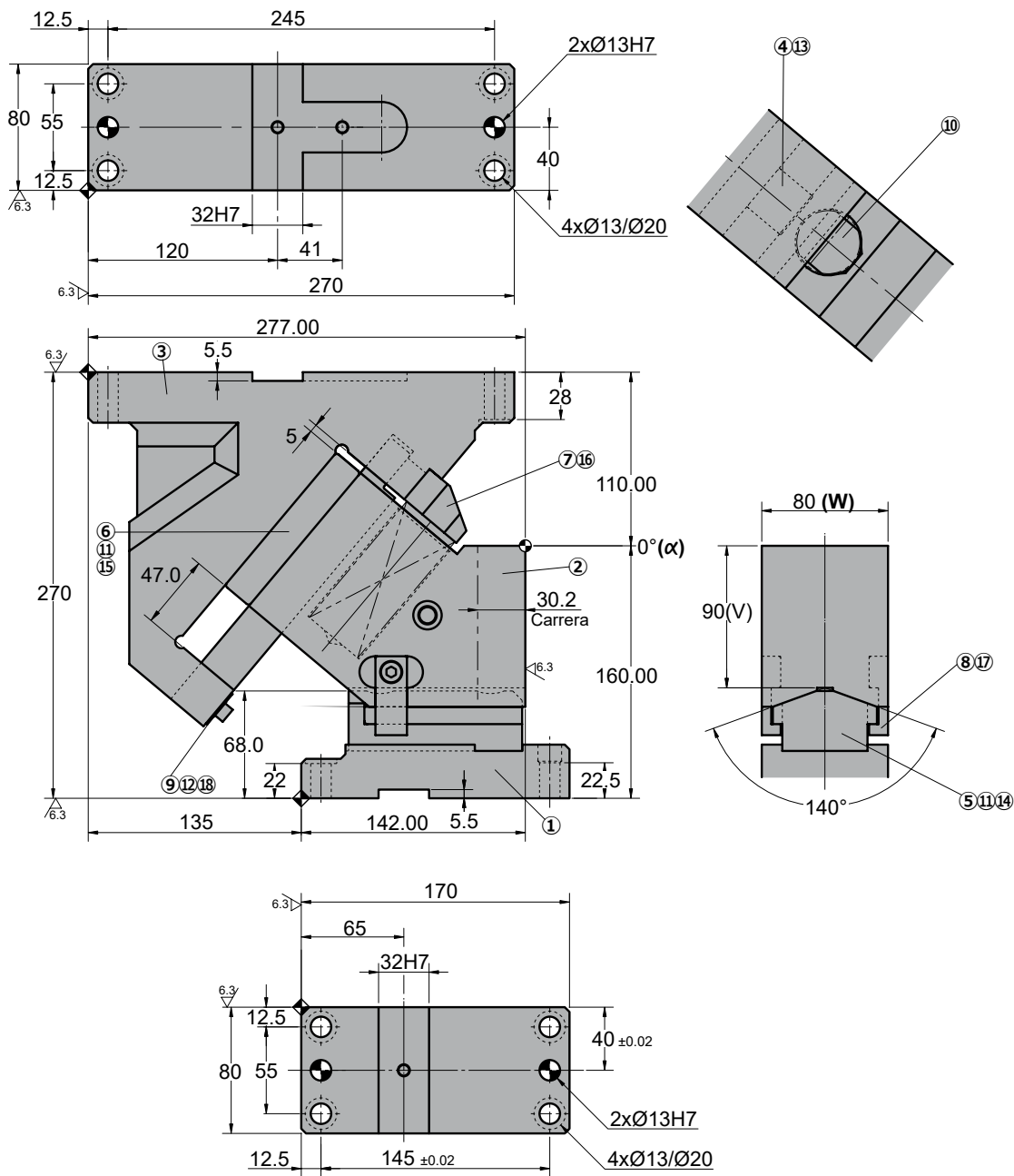


# ASGN 0080

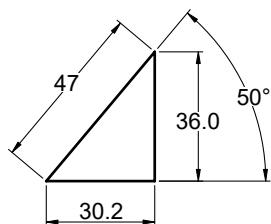
Aerial cam for pierce



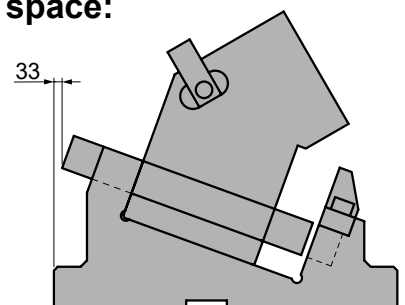
## ASGN 0080 00



◦Cam diagram:



◦Disassembling space:





# ASGN 0080

Aerial cam for pierce

Stroke (mm)	Working force kN - (tons)		Spring Force N - (kgf)		Weight (Kg)	Model	W (mm)	$\alpha$ (mm)
	(1 Million Strokes)	(300.000 Strokes)	Initial F <sub>0</sub>	Final F <sub>1</sub>				
30.2	49.0 (5.0)	98.0 (10.0)	296.1 (30.2)	1842.4 (187.6)	34.0	<b>ASGN</b>	<b>0080</b>	<b>00</b>

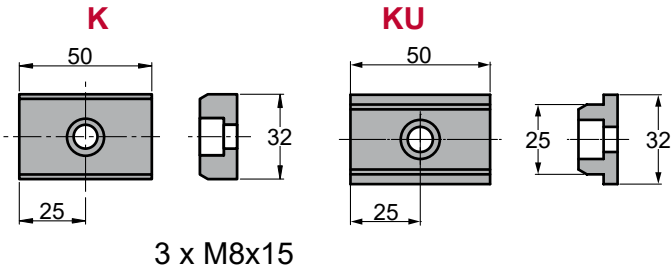


Order: **Model** **(W)** **( $\alpha$ )**  
**ASGN 0080 00**

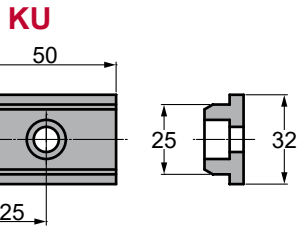
Siempre de pedir las piezas de acuerdo con el catálogo de este artículo.  
 Reducción de costes aplicando las opciones de configuración de opciones.

## OPTIONS

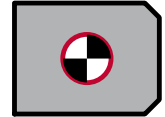
### K - KU



### KEY



### P PINS



**P12 - Ø12 H7.**

### Order Options: Model (W) ( $\alpha$ )-Option



**ASGN 0080 00-K**  
**ASGN 0080 00-P12**  
**ASGN 0080 00-P12-K**



### SPARE PARTS:

- ⑤ Slider Guide
- ⑥ Lower Plate
- ⑩ Coil Spring

## COMPONENTS

No.	Description	Qty.	Material
①	Cam Driver	1	GG25
②	Cam Slider	1	CK45
③	Cam Holder	1	GG25
④	Guide Bar	1	Bronze + G
⑤	Slider Guide	1	Bronze + G
⑥	Lower Plate	1	CK45
⑦	Stopper Plate	1	CK22
⑧	Slide Plate	2	CK45
⑨	Positive Return	1	CK22
⑩	Coil Spring	1	TJL40-152
⑪	Dowel Pin	4	Ø8 x 30
⑫	Disc Spring	2	M6
⑬	Screw	1	M12 x 35
⑭	Screw	2	M12 x 40
⑮	Screw	4	M10 x 25

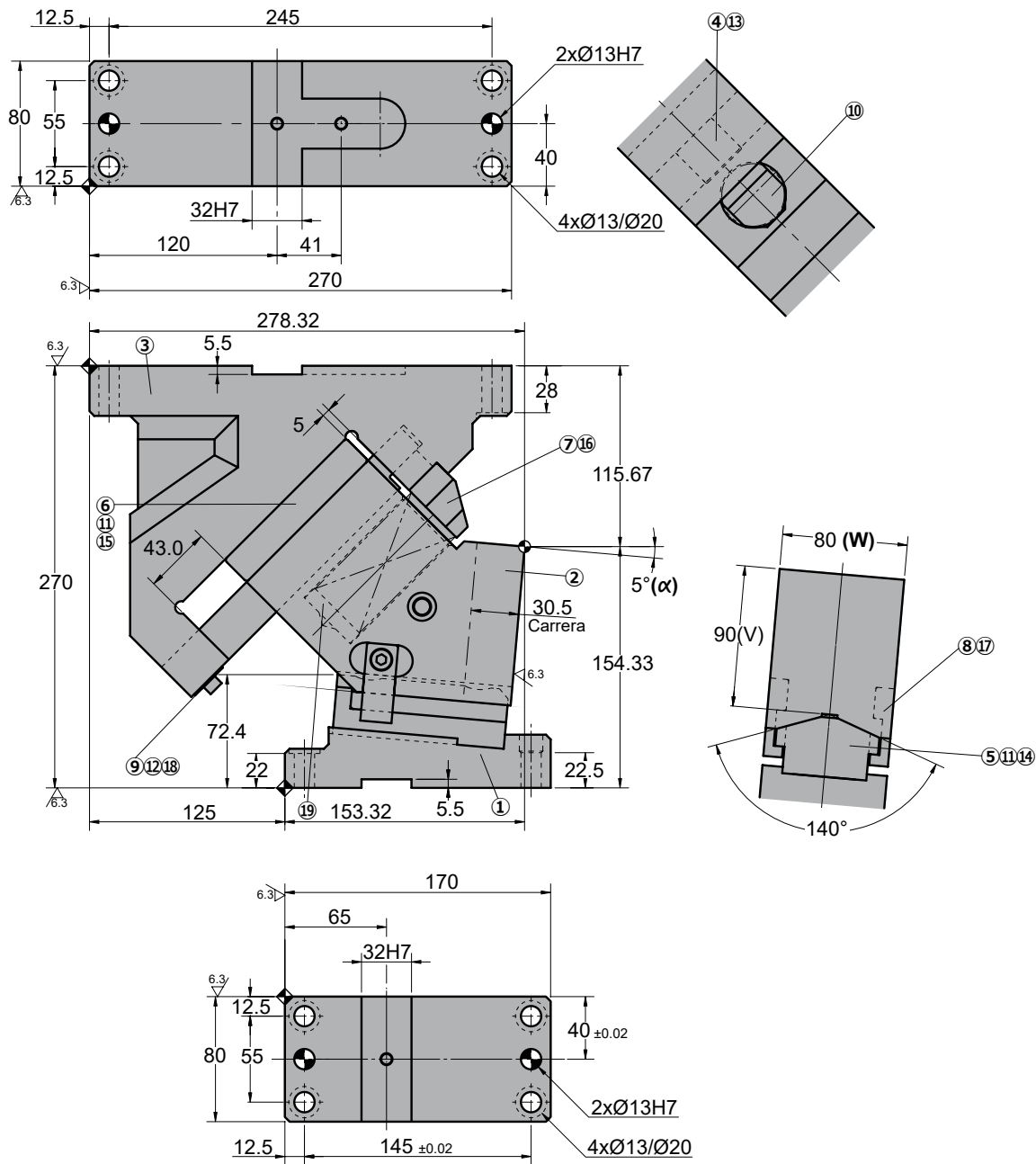
No.	Description	Qty.	Material
⑯	Screw	2	M10 x 30
⑰	Screw	2	M8 x 18
⑱	Screw	2	M6 x 10

# ASGN 0080

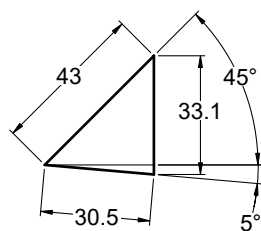
Aerial cam for pierce



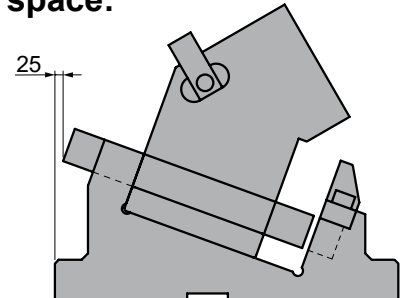
## ASGN 0080 05



◦Cam diagram:



◦Disassembling space:







# ASGN 0080

Aerial cam for pierce

Stroke (mm)	Working force kN - (tons)		Spring Force N - (kgf)		Weight (Kg)	Model	W (mm)	$\alpha$ (mm)
	(1 Million Strokes)	(300.000 Strokes)	Initial F <sub>0</sub>	Final F <sub>1</sub>				
30.5	49.0 (5.0)	98.0 (10.0)	324.0 (33.0)	1872.0 (190.8)	32.0	<b>ASGN</b>	<b>0080</b>	<b>05</b>

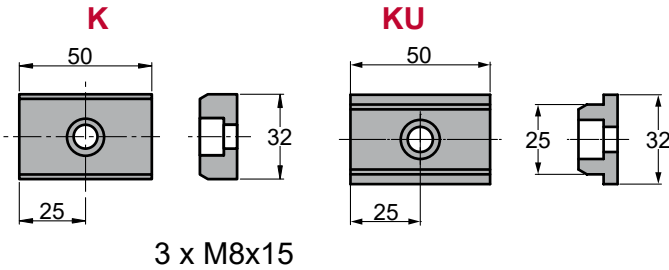


Order: **Model** **(W)** **( $\alpha$ )**  
**ASGN 0080 05**

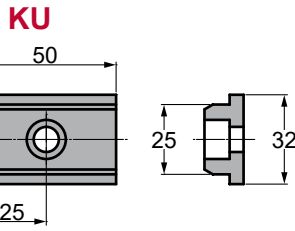
Siempre leer el manual de instrucciones de cada modelo de catálogo.  
 Reducir las aplicaciones aplicando las opciones de opciones.

## OPTIONS

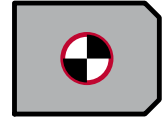
### K - KU



### KEY



### P PINS



**P12 - Ø12 H7.**

### Order Options: Model (W) ( $\alpha$ )-Option



**ASGN 0080 05-K**  
**ASGN 0080 05-P12**  
**ASGN 0080 05-P12-K**



### SPARE PARTS:

- ⑤ Slider Guide
- ⑥ Lower Plate
- ⑩ Coil Spring

## COMPONENTS

No.	Description	Qty.	Material
①	Cam Driver	1	GG25
②	Cam Slider	1	CK45
③	Cam Holder	1	GG25
④	Guide Bar	1	Bronze + G
⑤	Slider Guide	1	Bronze + G
⑥	Lower Plate	1	CK45
⑦	Stopper Plate	1	CK22
⑧	Slide Plate	2	CK45
⑨	Positive Return	1	CK22
⑩	Coil Spring	1	TJL40-139
⑪	Dowel Pin	4	Ø8 x 30
⑫	Disc Spring	2	M6
⑬	Screw	1	M12 x 35
⑭	Screw	2	M12 x 40
⑮	Screw	4	M10 x 25

No.	Description	Qty.	Material
⑯	Screw	2	M10 x 30
⑰	Screw	2	M8 x 18
⑱	Screw	2	M6 x 10
⑲	Spacer	1	CK45

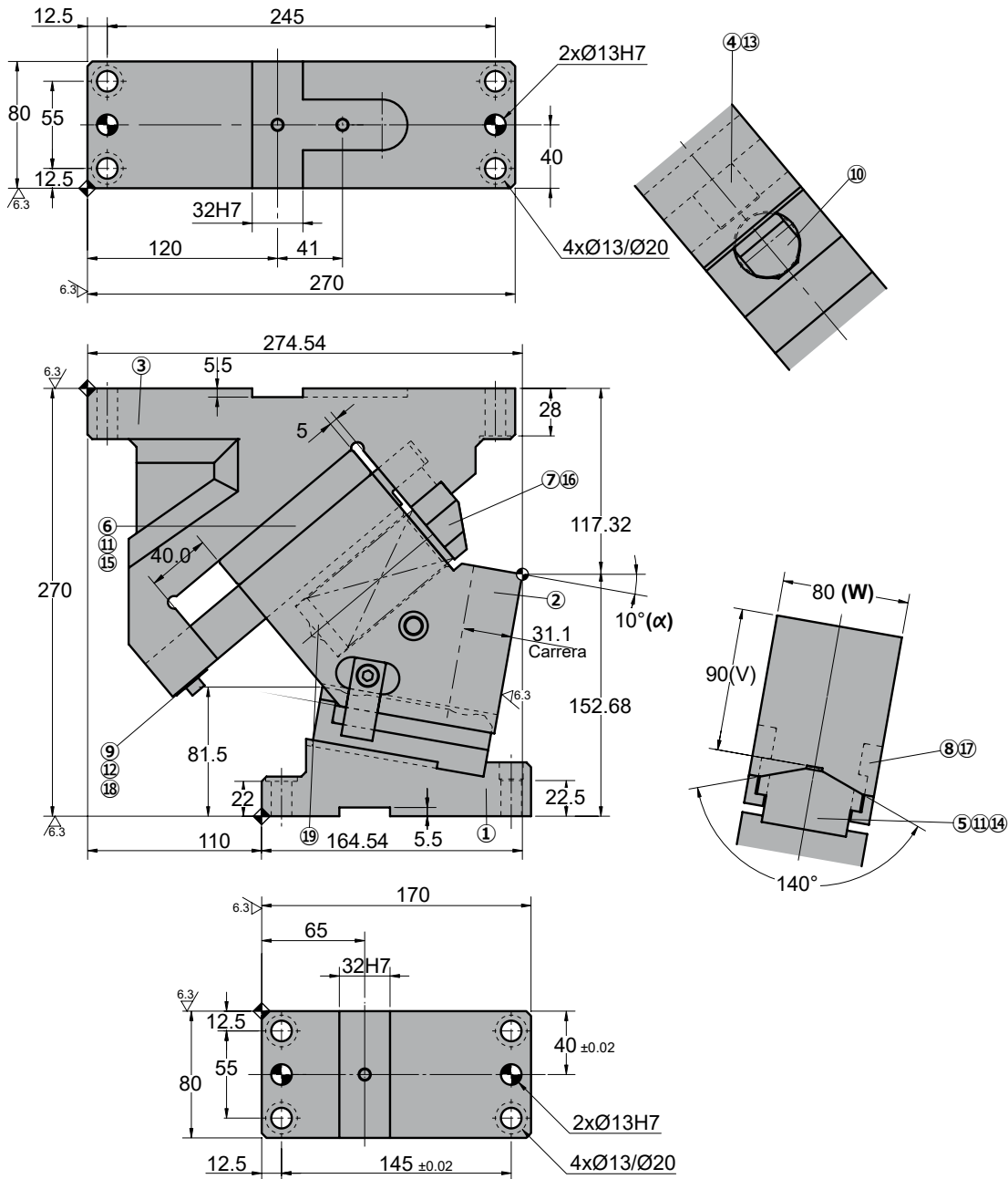


# ASGN 0080

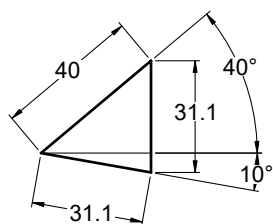
Aerial cam for pierce



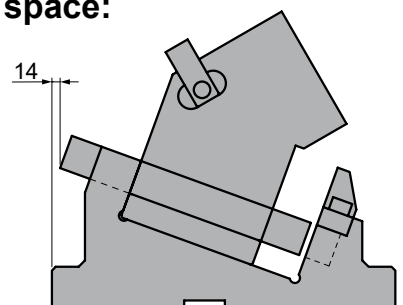
## ASGN 0080 10



◦Cam diagram:



◦Disassembling space:





# ASGN 0080

Aerial cam for pierce

Stroke (mm)	Working force kN - (tons)		Spring Force N - (kgf)		Weight (Kg)	Model	W (mm)	$\alpha$ (mm)
	(1 Million Strokes)	(300.000 Strokes)	Initial F <sub>0</sub>	Final F <sub>1</sub>				
31.1	49.0 (5.0)	98.0 (10.0)	432.0 (44.0)	1872.0 (190.8)	32.0	<b>ASGN</b>	<b>0080</b>	<b>10</b>

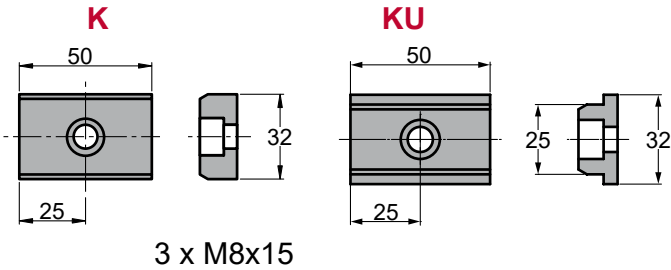


Order: **Model** **(W)** **( $\alpha$ )**  
**ASGN 0080 10**

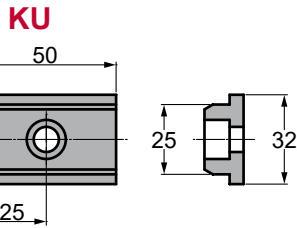
Siempre de pedir las piezas de acuerdo con el catálogo de este artículo.  
 Reducción de costes aplicando opciones de configuración de opciones.

## OPTIONS

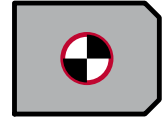
### K - KU



### KEY



### P PINS



**P12 - Ø12 H7.**

### Order Options: Model (W) ( $\alpha$ )-Option



**ASGN 0080 10-K**  
**ASGN 0080 10-P12**  
**ASGN 0080 10-P12-K**



### SPARE PARTS:

- ⑤ Slider Guide
- ⑥ Lower Plate
- ⑩ Coil Spring

## COMPONENTS

No.	Description	Qty.	Material
①	Cam Driver	1	GG25
②	Cam Slider	1	CK45
③	Cam Holder	1	GG25
④	Guide Bar	1	Bronze + G
⑤	Slider Guide	1	Bronze + G
⑥	Lower Plate	1	CK45
⑦	Stopper Plate	1	CK22
⑧	Slide Plate	2	CK45
⑨	Positive Return	1	CK22
⑩	Coil Spring	1	TJL40-139
⑪	Dowel Pin	4	Ø8 x 30
⑫	Disc Spring	2	M6
⑬	Screw	1	M12 x 35
⑭	Screw	2	M12 x 40
⑮	Screw	4	M10 x 25

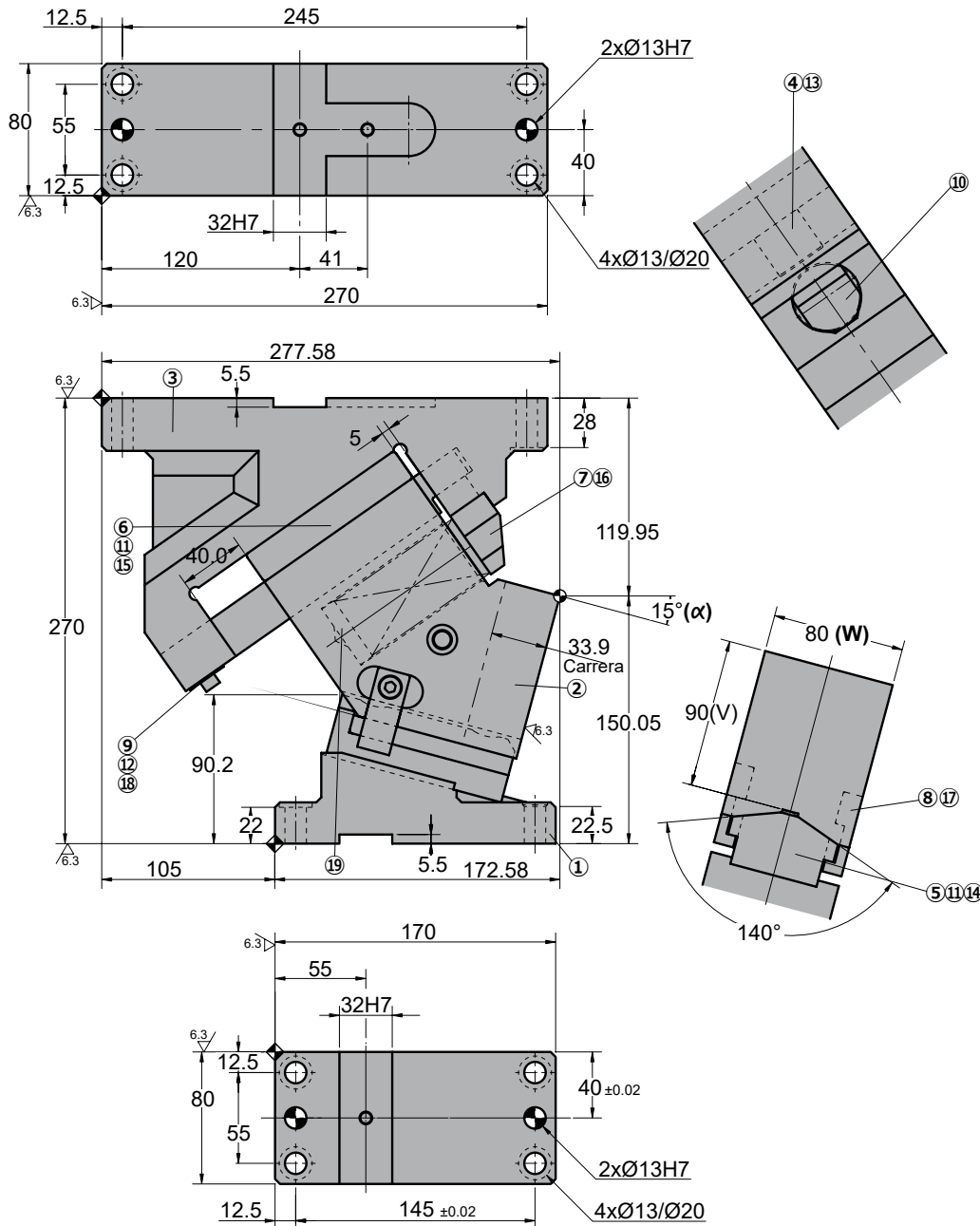
No.	Description	Qty.	Material
⑯	Screw	2	M10 x 30
⑰	Screw	2	M8 x 18
⑱	Screw	2	M6 x 10
⑲	Spacer	1	CK45

# ASGN 0080

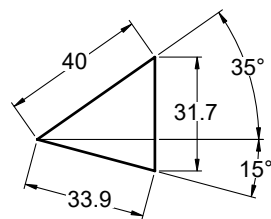
Aerial cam for pierce



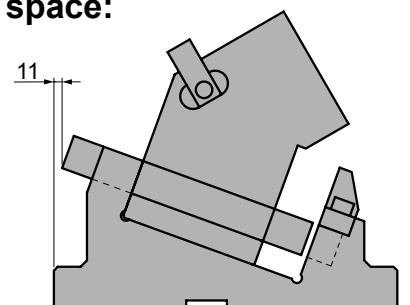
## ASGN 0080 15



◦Cam diagram:



◦Disassembling space:





# ASGN 0080

Aerial cam for pierce

Stroke (mm)	Working force kN - (tons)		Spring Force N - (kgf)		Weight (Kg)	Model	W (mm)	$\alpha$ (mm)
	(1 Million Strokes)	(300.000 Strokes)	Initial F <sub>0</sub>	Final F <sub>1</sub>				
33.9	49.0 (5.0)	98.0 (10.0)	432.0 (44.0)	1872.0 (190.8)	32.0	<b>ASGN</b>	<b>0080</b>	<b>15</b>

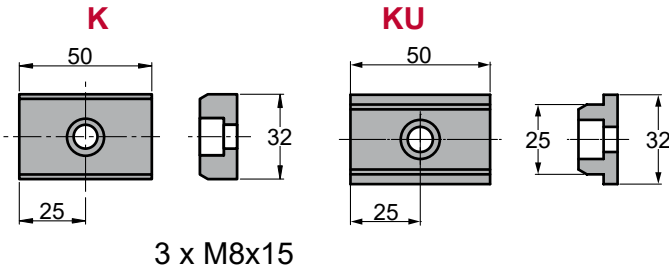


Order: **Model** **(W)** **( $\alpha$ )**  
**ASGN 0080 15**

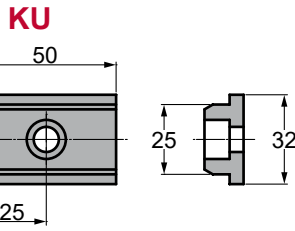
Siempre de pedir las piezas de acuerdo con el catálogo de este artículo.  
 Reducción de costes aplicando las opciones de configuración de opciones.

## OPTIONS

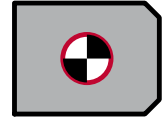
### K - KU



### KEY



### P PINS



**P12 - Ø12 H7.**

### Order Options: Model (W) ( $\alpha$ )-Option



**ASGN 0080 15-K**  
**ASGN 0080 15-P12**  
**ASGN 0080 15-P12-K**



### SPARE PARTS:

- ⑤ Slider Guide
- ⑥ Lower Plate
- ⑩ Coil Spring

## COMPONENTS

No.	Description	Qty.	Material
①	Cam Driver	1	GG25
②	Cam Slider	1	CK45
③	Cam Holder	1	GG25
④	Guide Bar	1	Bronze + G
⑤	Slider Guide	1	Bronze + G
⑥	Lower Plate	1	CK45
⑦	Stopper Plate	1	CK22
⑧	Slide Plate	2	CK45
⑨	Positive Return	1	CK22
⑩	Coil Spring	1	TJL40-139
⑪	Dowel Pin	4	Ø8 x 30
⑫	Disc Spring	2	M6
⑬	Screw	1	M12 x 35
⑭	Screw	2	M12 x 40
⑮	Screw	4	M10 x 25

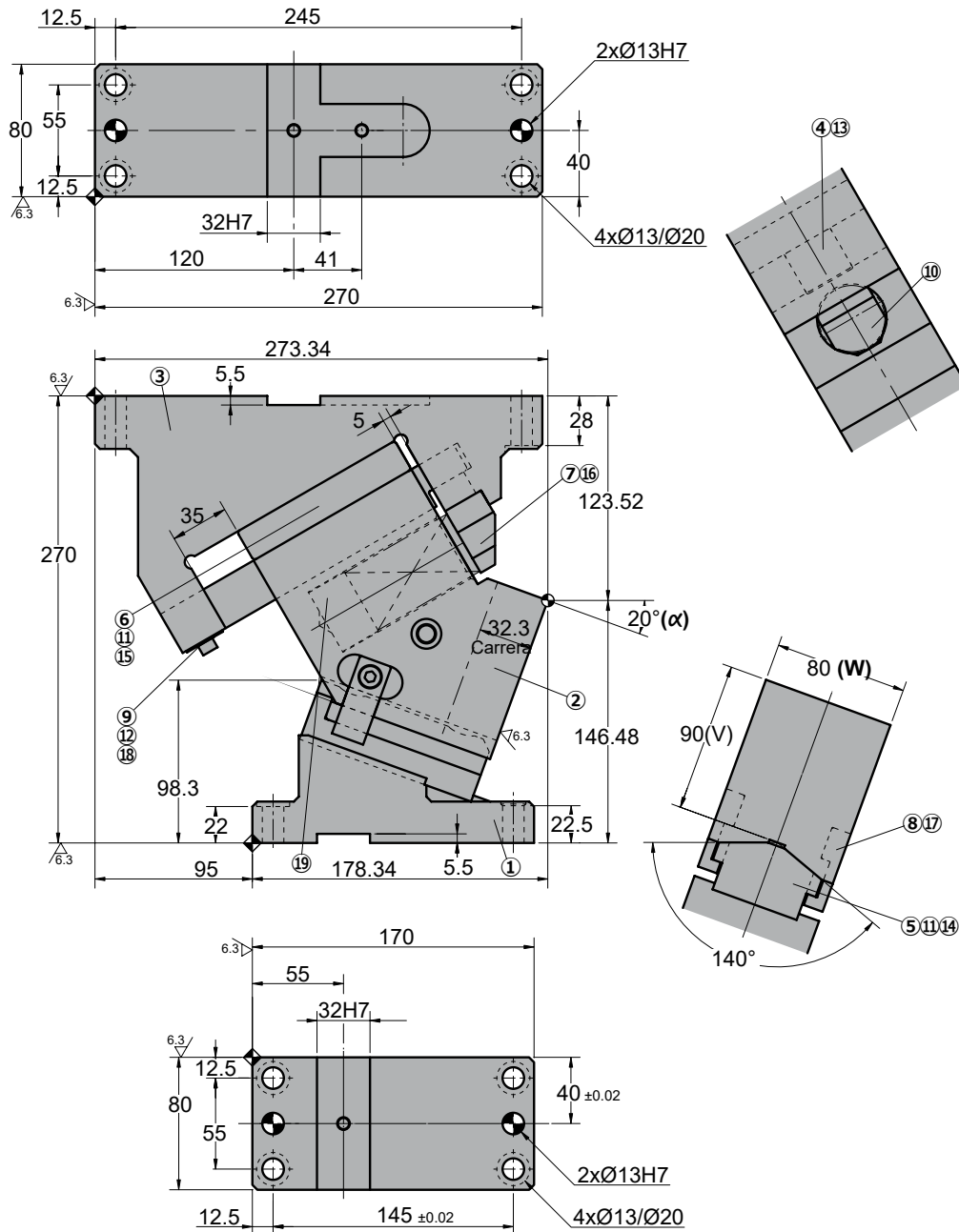
No.	Description	Qty.	Material
⑯	Screw	2	M10 x 30
⑰	Screw	2	M8 x 18
⑱	Screw	2	M6 x 10
⑲	Spacer	1	CK45

# ASGN 0080

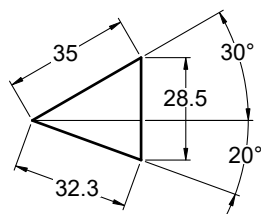
Aerial cam for pierce



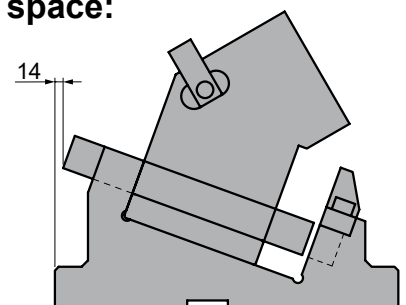
## ASGN 0080 20



◦Cam diagram:



◦Disassembling space:





# ASGN 0080

Aerial cam for pierce

Stroke (mm)	Working force kN - (tons)		Spring Force N - (kgf)		Weight (Kg)	Model	W (mm)	$\alpha$ (mm)
	(1 Million Strokes)	(300.000 Strokes)	Initial F <sub>0</sub>	Final F <sub>1</sub>				
32.3	49.0 (5.0)	98.0 (10.0)	391.5 (39.9)	1914.0 (194.9)	32.0	<b>ASGN</b>	<b>0080</b>	<b>20</b>

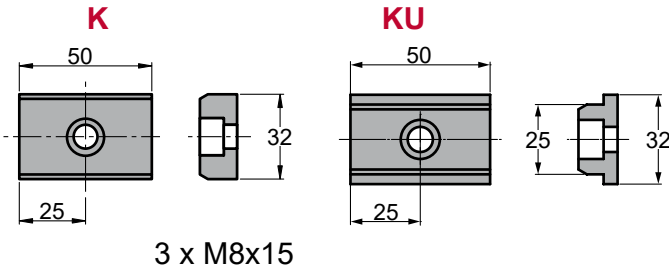


Order: **Model** **(W)** **( $\alpha$ )**  
**ASGN 0080 20**

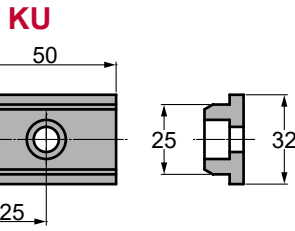
Siempre de pedir las piezas de acuerdo con el catálogo de este artículo.  
 Reducción de costes aplicando opciones de configuración de opciones.

## OPTIONS

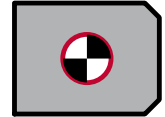
### K - KU



### KEY



### P PINS



**P12 - Ø12 H7.**

### Order Options: Model (W) ( $\alpha$ )-Option



**ASGN 0080 20-K**  
**ASGN 0080 20-P12**  
**ASGN 0080 20-P12-K**



### SPARE PARTS:

- ⑤ Slider Guide
- ⑥ Lower Plate
- ⑩ Coil Spring

## COMPONENTS

No.	Description	Qty.	Material
①	Cam Driver	1	GG25
②	Cam Slider	1	CK45
③	Cam Holder	1	GG25
④	Guide Bar	1	Bronze + G
⑤	Slider Guide	1	Bronze + G
⑥	Lower Plate	1	CK45
⑦	Stopper Plate	1	CK22
⑧	Slide Plate	2	CK45
⑨	Positive Return	1	CK22
⑩	Coil Spring	1	TJL40-115
⑪	Dowel Pin	4	Ø8 x 30
⑫	Disc Spring	2	M6
⑬	Screw	1	M12 x 35
⑭	Screw	2	M12 x 40
⑮	Screw	4	M10 x 25

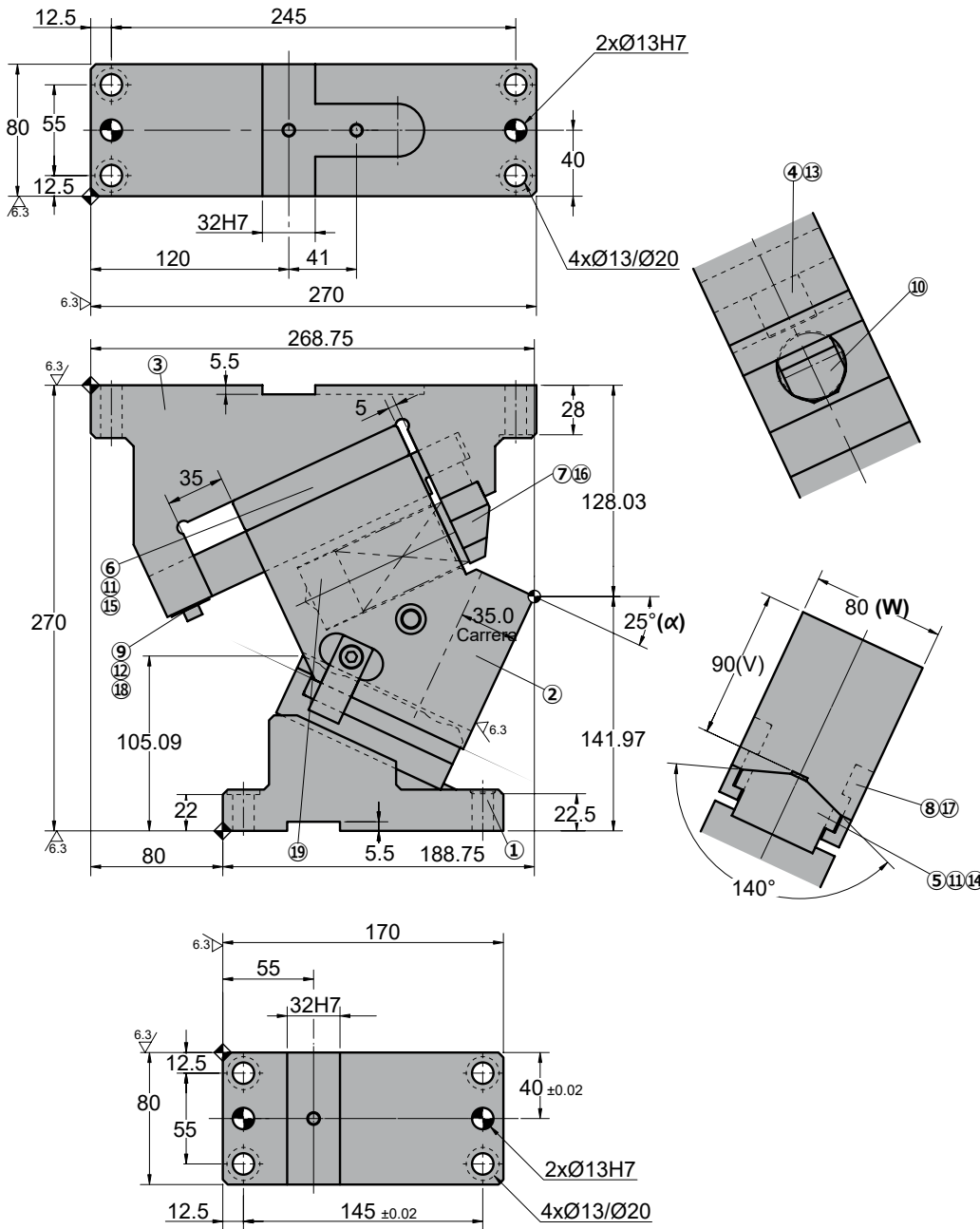
No.	Description	Qty.	Material
⑯	Screw	2	M10 x 30
⑰	Screw	2	M8 x 18
⑱	Screw	2	M6 x 10
⑲	Spacer	1	CK45

# ASGN 0080

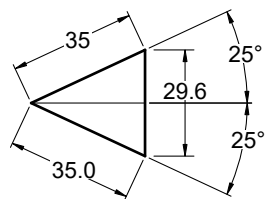
Aerial cam for pierce



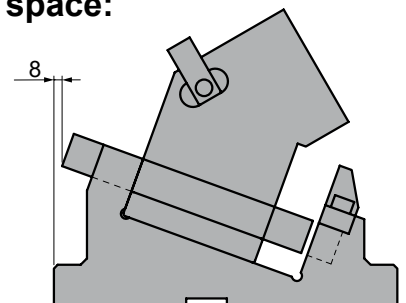
## ASGN 0080 25



◦Cam diagram:



◦Disassembling space:







# ASGN 0080

Aerial cam for pierce

Stroke (mm)	Working force kN - (tons)		Spring Force N - (kgf)		Weight (Kg)	Model	W (mm)	$\alpha$ (mm)
	(1 Million Strokes)	(300.000 Strokes)	Initial F <sub>0</sub>	Final F <sub>1</sub>				
35.0	49.0 (5.0)	98.0 (10.0)	391.5 (39.9)	1914.0 (194.9)	30.0	<b>ASGN</b>	<b>0080</b>	<b>25</b>

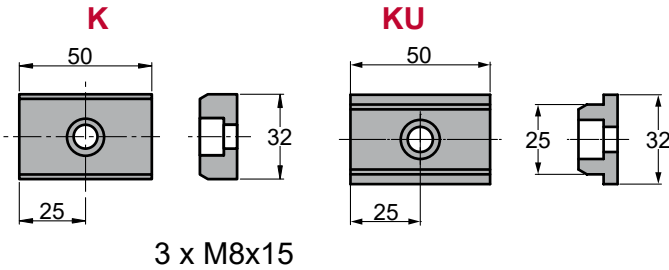


Order: **Model (W) ( $\alpha$ )**  
**ASGN 0080 25**

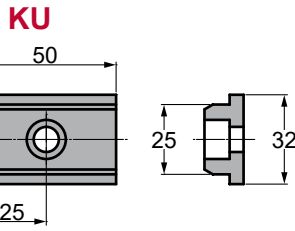
Siempre leer el manual de instrucciones de cada modelo de catálogo.  
 Reducir las aplicaciones aplicando las opciones de opciones.

## OPTIONS

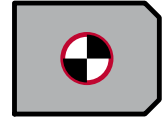
### K - KU



### KEY



### P PINS



**P12 - Ø12 H7.**

### Order Options: Model (W) ( $\alpha$ )-Option



**ASGN 0080 25-K**  
**ASGN 0080 25-P12**  
**ASGN 0080 25-P12-K**



### SPARE PARTS:

- ⑤ Slider Guide
- ⑥ Lower Plate
- ⑩ Coil Spring

## COMPONENTS

No.	Description	Qty.	Material
①	Cam Driver	1	GG25
②	Cam Slider	1	CK45
③	Cam Holder	1	GG25
④	Guide Bar	1	Bronze + G
⑤	Slider Guide	1	Bronze + G
⑥	Lower Plate	1	CK45
⑦	Stopper Plate	1	CK22
⑧	Slide Plate	2	CK45
⑨	Positive Return	1	CK22
⑩	Coil Spring	1	TJL40-115
⑪	Dowel Pin	4	Ø8 x 30
⑫	Disc Spring	2	M6
⑬	Screw	1	M12 x 35
⑭	Screw	2	M12 x 40
⑮	Screw	4	M10 x 25

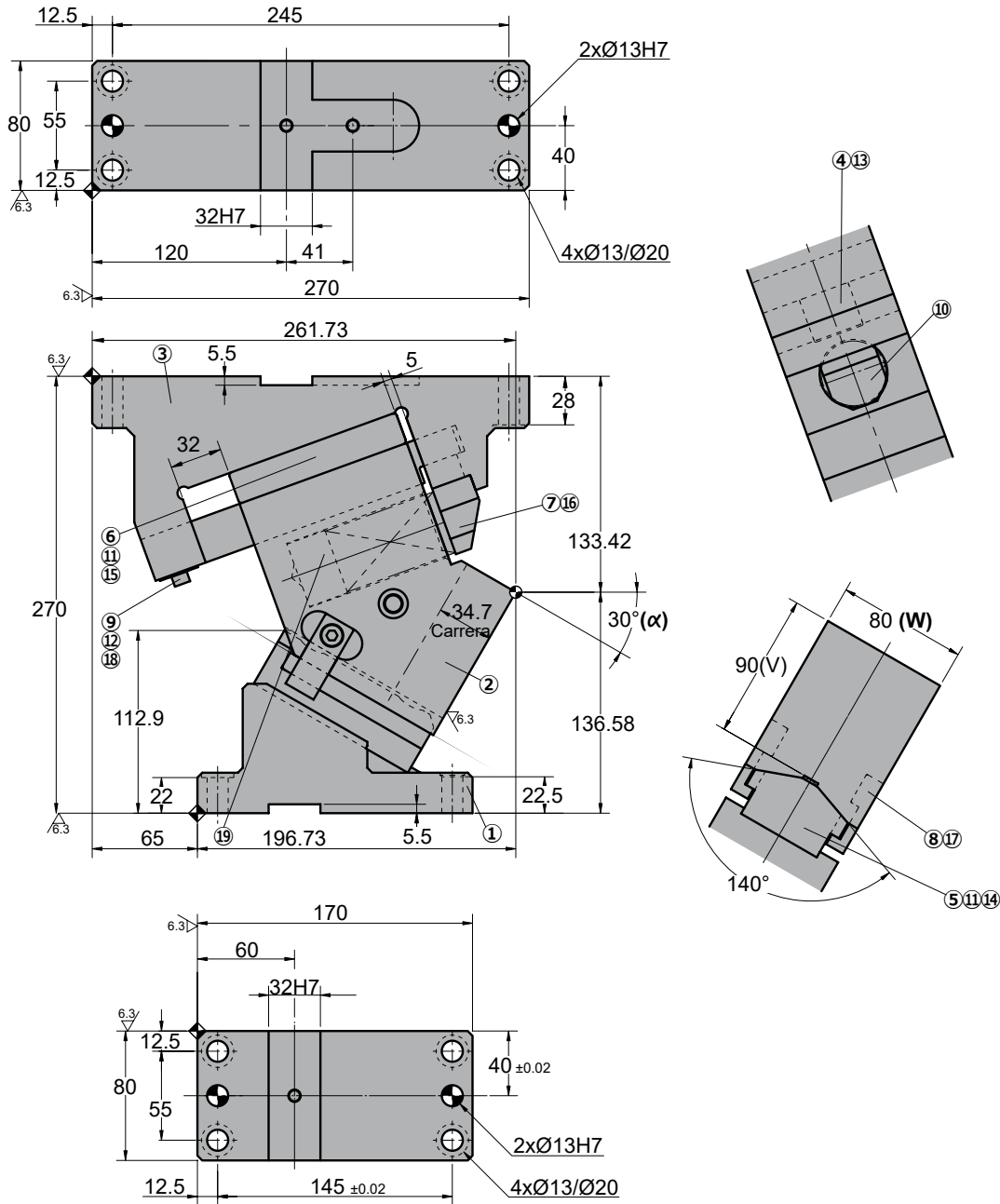
No.	Description	Qty.	Material
⑯	Screw	2	M10 x 30
⑰	Screw	2	M8 x 18
⑱	Screw	2	M6 x 10
⑲	Spacer	1	CK45

# ASGN 0080

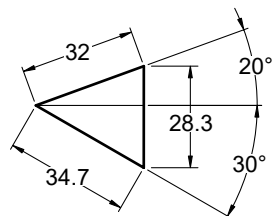
Aerial cam for pierce



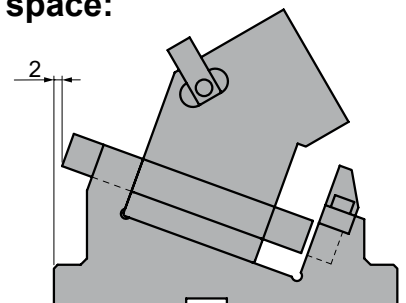
## ASGN 0080 30



◦Cam diagram:



◦Disassembling space:





# ASGN 0080

Aerial cam for pierce

Stroke (mm)	Working force kN - (tons)		Spring Force N - (kgf)		Weight (Kg)	Model	W (mm)	$\alpha$ (mm)
	(1 Million Strokes)	(300.000 Strokes)	Initial F <sub>0</sub>	Final F <sub>1</sub>				
34.7	49.0 (5.0)	98.0 (10.0)	522.0 (53.2)	1914.0 (194.9)	30.0	<b>ASGN</b>	<b>0080</b>	<b>30</b>

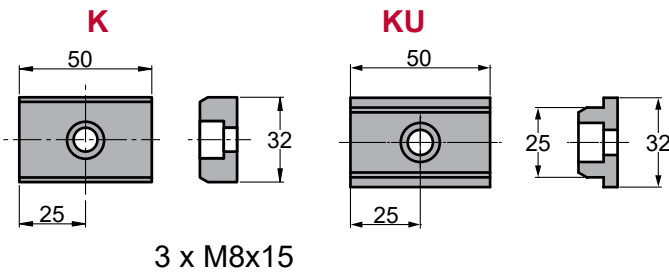


Order: **Model** **(W)** **( $\alpha$ )**  
**ASGN 0080 30**

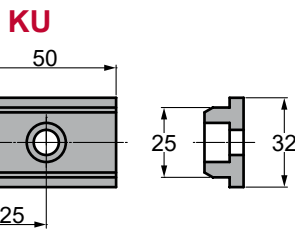
Siempre de pedir las piezas de acuerdo con el catálogo de este artículo.  
 Reducción de costes aplicando opciones de configuración de opciones.

## OPTIONS

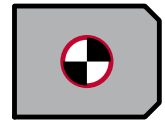
### K - KU



### KEY



### P PINS



**P12 - Ø12 H7.**

### Order Options: Model (W) ( $\alpha$ )-Option



**ASGN 0080 30-K**  
**ASGN 0080 30-P12**  
**ASGN 0080 30-P12-K**



### SPARE PARTS:

- ⑤ Slider Guide
- ⑥ Lower Plate
- ⑩ Coil Spring

## COMPONENTS

No.	Description	Qty.	Material
①	Cam Driver	1	GG25
②	Cam Slider	1	CK45
③	Cam Holder	1	GG25
④	Guide Bar	1	Bronze + G
⑤	Slider Guide	1	Bronze + G
⑥	Lower Plate	1	CK45
⑦	Stopper Plate	1	CK22
⑧	Slide Plate	2	CK45
⑨	Positive Return	1	CK22
⑩	Coil Spring	1	TJL40-115
⑪	Dowel Pin	4	Ø8 x 30
⑫	Disc Spring	2	M6
⑬	Screw	1	M12 x 35
⑭	Screw	2	M12 x 40
⑮	Screw	4	M10 x 25

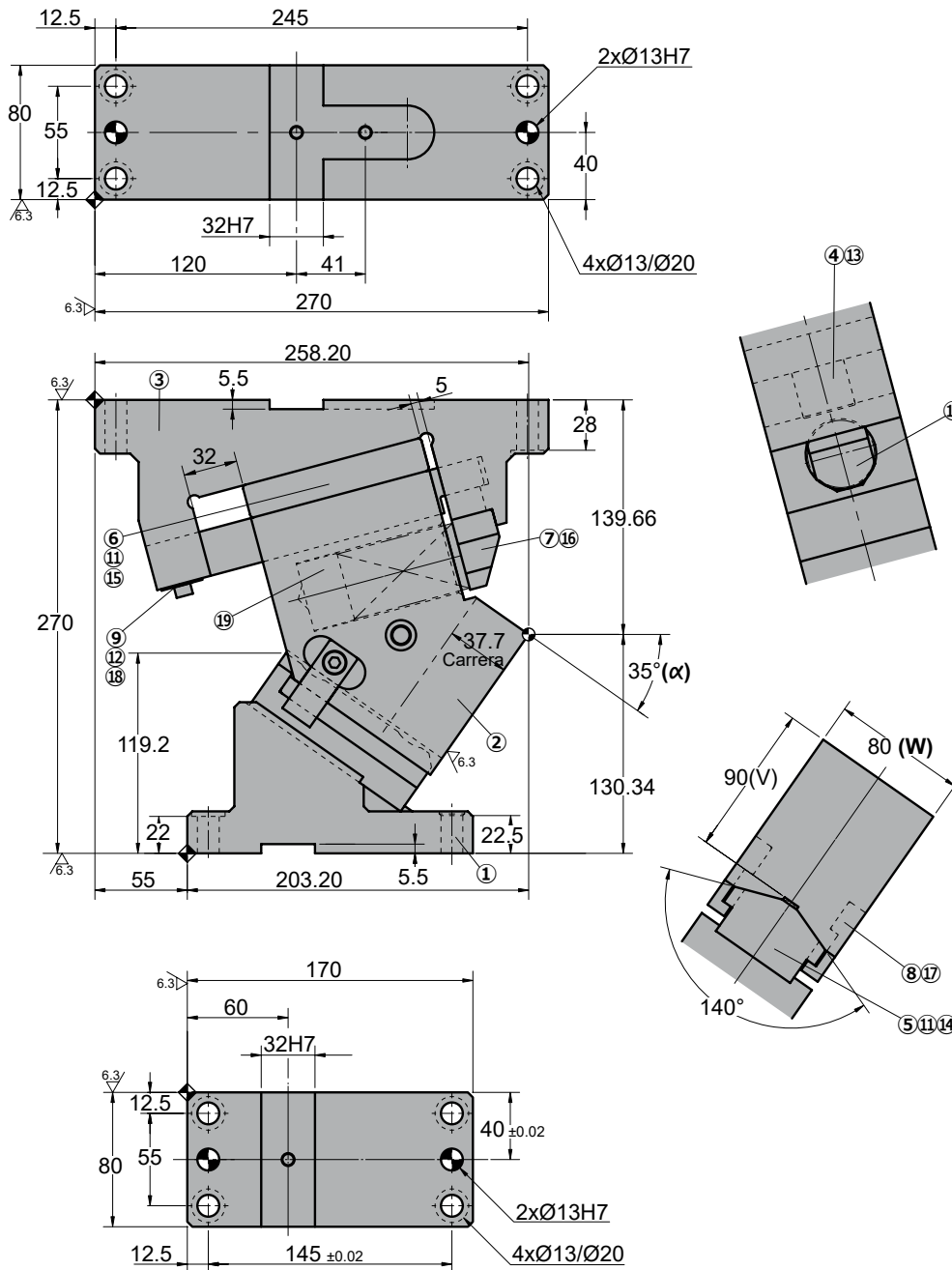
No.	Description	Qty.	Material
⑯	Screw	2	M10 x 30
⑰	Screw	2	M8 x 18
⑱	Screw	2	M6 x 10
⑲	Spacer	1	CK45

# ASGN 0080

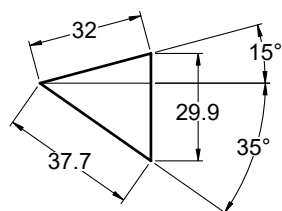
Aerial cam for pierce



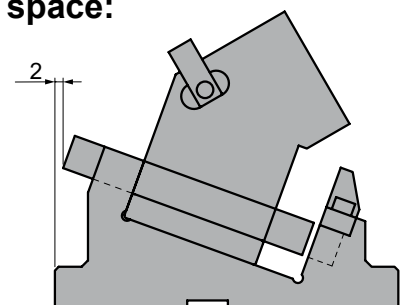
## ASGN 0080 35



◦Cam diagram:



◦Disassembling space:





# ASGN 0080

Aerial cam for pierce

Stroke (mm)	Working force kN - (tons)		Spring Force N - (kgf)		Weight (Kg)	Model	W (mm)	$\alpha$ (mm)
	(1 Million Strokes)	(300.000 Strokes)	Initial F <sub>0</sub>	Final F <sub>1</sub>				
37.7	49.0 (5.0)	98.0 (10.0)	522.0 (53.2)	1914.0 (194.9)	30.0	<b>ASGN</b>	<b>0080</b>	<b>35</b>

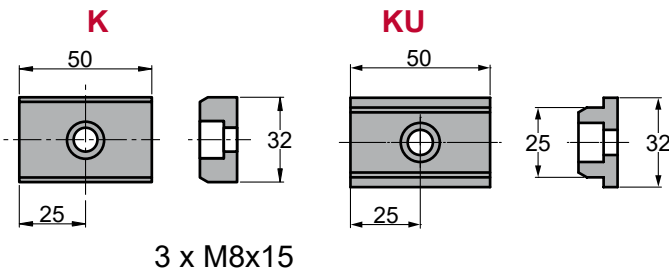


Order: **Model** **(W)** **( $\alpha$ )**  
**ASGN 0080 35**

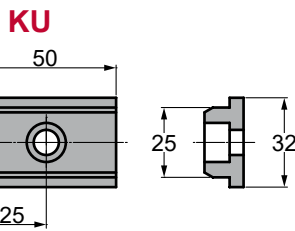
Siempre de pedir las piezas de acuerdo con el catálogo de este artículo.  
 Reducción de costes aplicando las opciones de configuración de opciones.

## OPTIONS

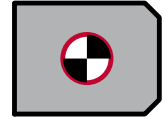
### K - KU



### KEY



### P PINS



**P12 - Ø12 H7.**

### Order Options: Model (W) ( $\alpha$ )-Option



**ASGN 0080 35-K**  
**ASGN 0080 35-P12**  
**ASGN 0080 35-P12-K**



### SPARE PARTS:

- ⑤ Slider Guide
- ⑥ Lower Plate
- ⑩ Coil Spring

## COMPONENTS

No.	Description	Qty.	Material
①	Cam Driver	1	GG25
②	Cam Slider	1	CK45
③	Cam Holder	1	GG25
④	Guide Bar	1	Bronze + G
⑤	Slider Guide	1	Bronze + G
⑥	Lower Plate	1	CK45
⑦	Stopper Plate	1	CK22
⑧	Slide Plate	2	CK45
⑨	Positive Return	1	CK22
⑩	Coil Spring	1	TJL40-115
⑪	Dowel Pin	4	Ø8 x 30
⑫	Disc Spring	2	M6
⑬	Screw	1	M12 x 35
⑭	Screw	2	M12 x 40
⑮	Screw	4	M10 x 25

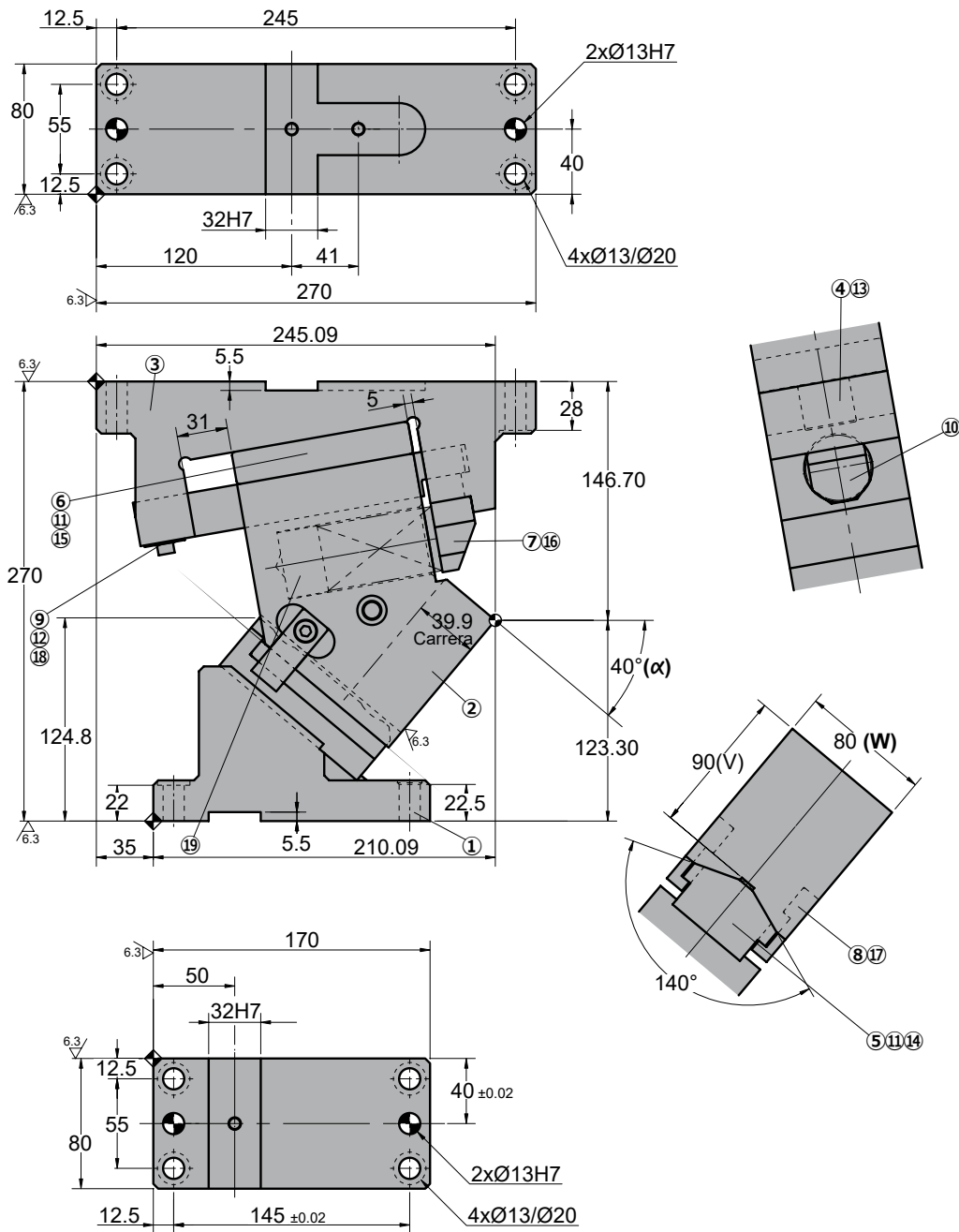
No.	Description	Qty.	Material
⑯	Screw	2	M10 x 30
⑰	Screw	2	M8 x 18
⑱	Screw	2	M6 x 10
⑲	Spacer	1	CK45

# ASGN 0080

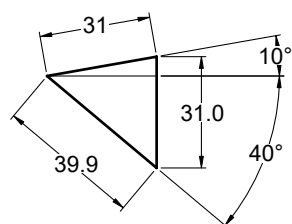
Aerial cam for pierce



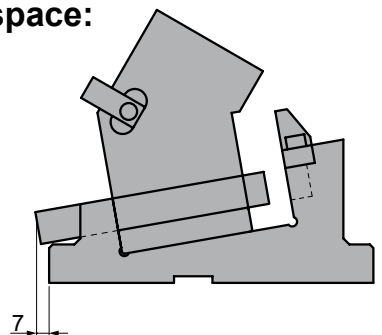
## ASGN 0080 40



### Cam diagram:



### Disassembling space:





# ASGN 0080

Aerial cam for pierce

Stroke (mm)	Working force kN - (tons)		Spring Force N - (kgf)		Weight (Kg)	Model	W (mm)	$\alpha$ (mm)
	(1 Million Strokes)	(300.000 Strokes)	Initial F <sub>0</sub>	Final F <sub>1</sub>				
39.9	49.0 (5.0)	98.0 (10.0)	565.5 (57.6)	1914.0 (194.9)	29.0	<b>ASGN</b>	<b>0080</b>	<b>40</b>

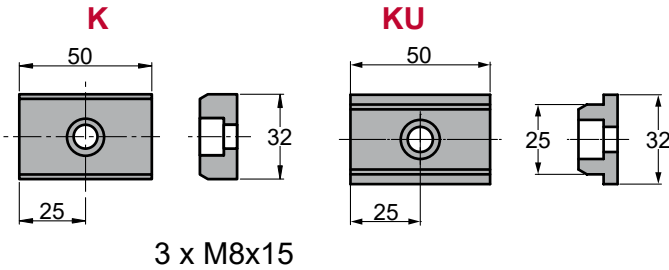


Order: **Model** **(W)** **( $\alpha$ )**  
**ASGN 0080 40**

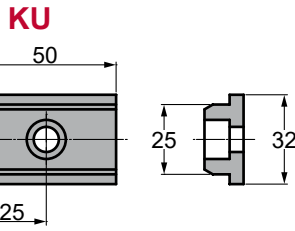
Siempre de pedir las piezas de acuerdo con el catálogo de este artículo.  
 Reducción de costes aplicando las opciones de configuración de opciones.

## OPTIONS

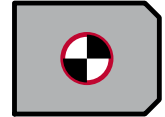
### K - KU



### KEY



### P PINS



**P12 - Ø12 H7.**

### Order Options: Model (W) ( $\alpha$ )-Option



**ASGN 0080 40-K**  
**ASGN 0080 40-P12**  
**ASGN 0080 40-P12-K**



### SPARE PARTS:

- ⑤ Slider Guide
- ⑥ Lower Plate
- ⑩ Coil Spring

## COMPONENTS

No.	Description	Qty.	Material
①	Cam Driver	1	GG25
②	Cam Slider	1	CK45
③	Cam Holder	1	GG25
④	Guide Bar	1	Bronze + G
⑤	Slider Guide	1	Bronze + G
⑥	Lower Plate	1	CK45
⑦	Stopper Plate	1	CK22
⑧	Slide Plate	2	CK45
⑨	Positive Return	1	CK22
⑩	Coil Spring	1	TJL40-115
⑪	Dowel Pin	4	Ø8 x 30
⑫	Disc Spring	2	M6
⑬	Screw	1	M12 x 35
⑭	Screw	2	M12 x 40
⑮	Screw	4	M10 x 25

No.	Description	Qty.	Material
⑯	Screw	2	M10 x 30
⑰	Screw	2	M8 x 18
⑱	Screw	2	M6 x 10
⑲	Spacer	1	CK45

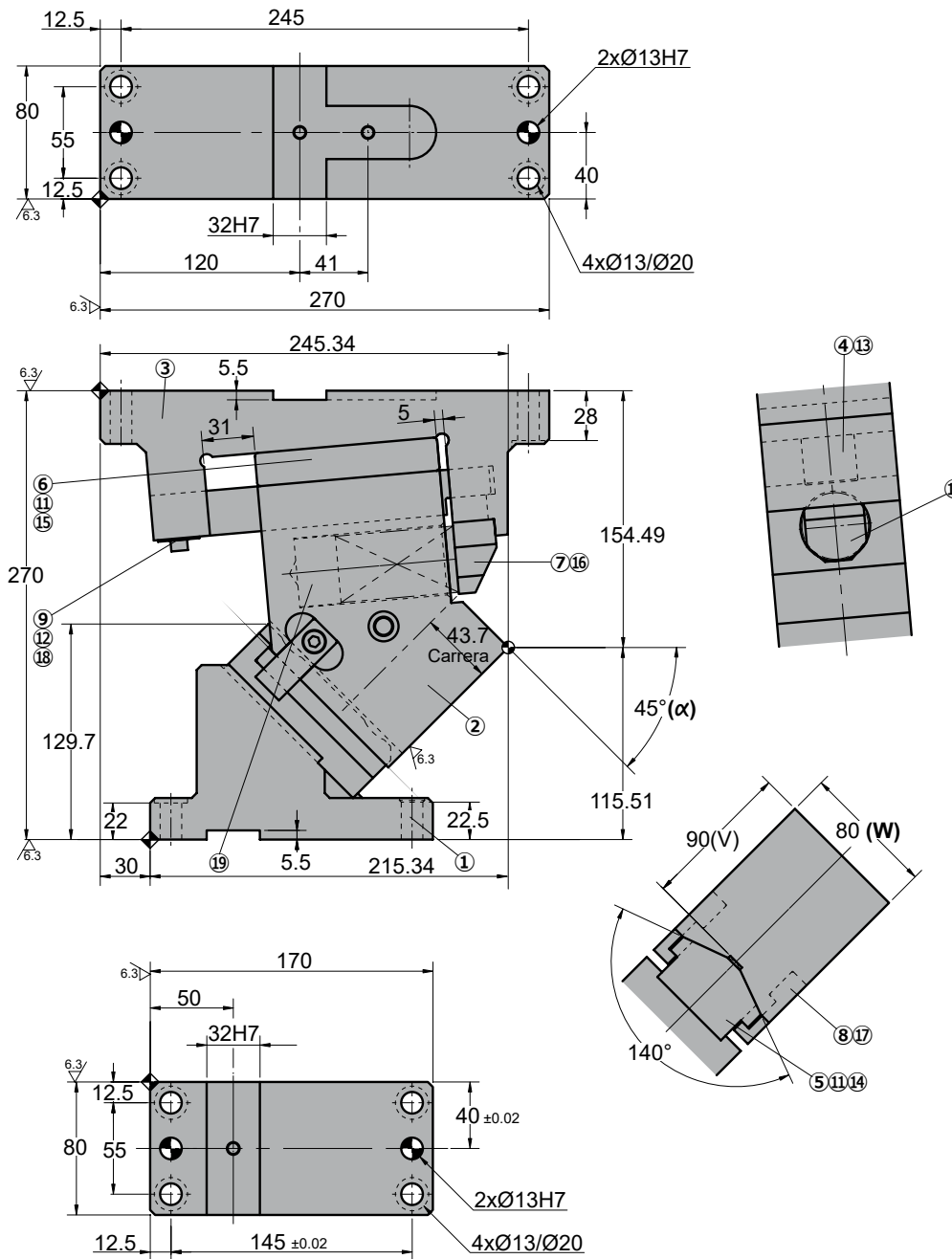


# ASGN 0080

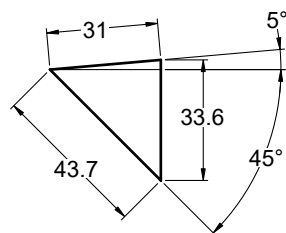
Aerial cam for pierce



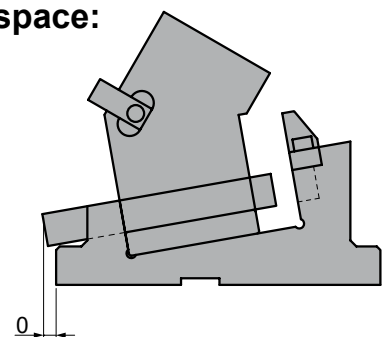
## ASGN 0080 45



### Cam diagram:



### Disassembling space:





# ASGN 0080

Aerial cam for pierce

Stroke (mm)	Working force kN - (tons)		Spring Force N - (kgf)		Weight (Kg)	Model	W (mm)	$\alpha$ (mm)
	(1 Million Strokes)	(300.000 Strokes)	Initial F <sub>0</sub>	Final F <sub>1</sub>				
43.7	49.0 (5.0)	98.0 (10.0)	565.5 (57.6)	1914.0 (194.9)	29.0	<b>ASGN</b>	<b>0080</b>	<b>45</b>

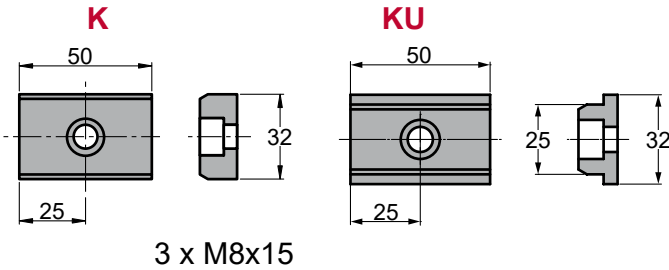


Order: **Model** **(W)** **( $\alpha$ )**  
**ASGN 0080 45**

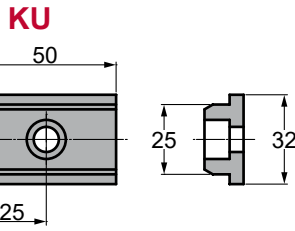
Siempre de pedir las piezas de acuerdo con el catálogo de este artículo.  
 Reducción de costes aplicando opciones de configuración de opciones.

## OPTIONS

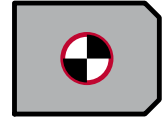
### K - KU



### KEY



### P PINS



**P12 - Ø12 H7.**

### Order Options: Model (W) ( $\alpha$ )-Option



**ASGN 0080 45-K**  
**ASGN 0080 45-P12**  
**ASGN 0080 45-P12-K**



### SPARE PARTS:

- ⑤ Slider Guide
- ⑥ Lower Plate
- ⑩ Coil Spring

## COMPONENTS

No.	Description	Qty.	Material
①	Cam Driver	1	GG25
②	Cam Slider	1	CK45
③	Cam Holder	1	GG25
④	Guide Bar	1	Bronze + G
⑤	Slider Guide	1	Bronze + G
⑥	Lower Plate	1	CK45
⑦	Stopper Plate	1	CK22
⑧	Slide Plate	2	CK45
⑨	Positive Return	1	CK22
⑩	Coil Spring	1	TJL40-115
⑪	Dowel Pin	4	Ø8 x 30
⑫	Disc Spring	2	M6
⑬	Screw	1	M12 x 35
⑭	Screw	2	M12 x 40
⑮	Screw	4	M10 x 25

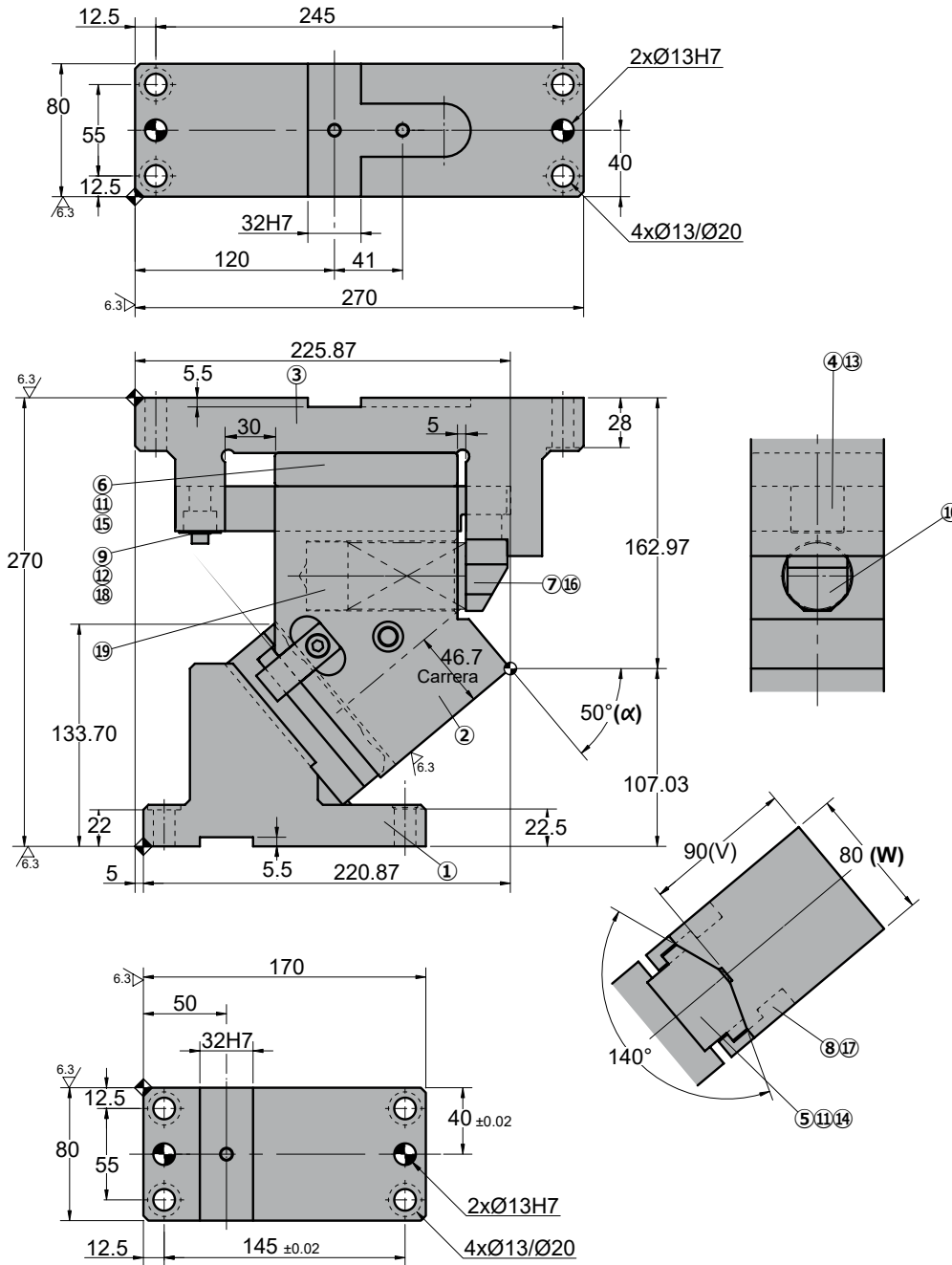
No.	Description	Qty.	Material
⑯	Screw	2	M10 x 30
⑰	Screw	2	M8 x 18
⑱	Screw	2	M6 x 10
⑲	Spacer	1	CK45

# ASGN 0080

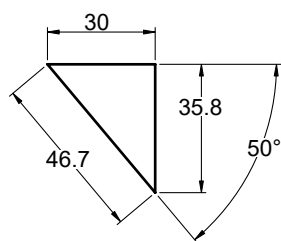
Aerial cam for pierce



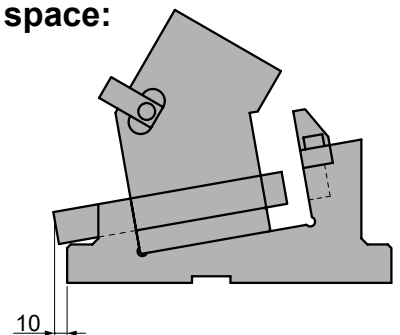
## ASGN 0080 50



◦Cam diagram:



◦Disassembling space:





# ASGN 0080

Aerial cam for pierce

Stroke (mm)	Working force kN - (tons)		Spring Force N - (kgf)		Weight (Kg)	Model	W (mm)	$\alpha$ (mm)
	(1 Million Strokes)	(300.000 Strokes)	Initial F <sub>0</sub>	Final F <sub>1</sub>				
46.7	49.0 (5.0)	98.0 (10.0)	609.0 (62.0)	1914.0 (194.9)	30.0	<b>ASGN</b>	<b>0080</b>	<b>50</b>

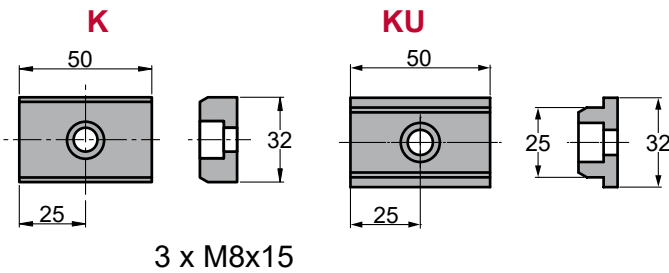


Order: **Model** **(W)** **( $\alpha$ )**  
**ASGN 0080 50**

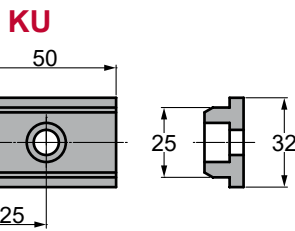
Siempre de pedir las piezas de acuerdo con el catálogo de este artículo.  
 Reducción de costes aplicando opciones de configuración de opciones.

## OPTIONS

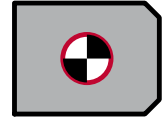
### K - KU



### KEY



### P PINS



**P12 - Ø12 H7.**

### Order Options: Model (W) ( $\alpha$ )-Option



**ASGN 0080 50-K**  
**ASGN 0080 50-P12**  
**ASGN 0080 50-P12-K**



### SPARE PARTS:

- ⑤ Slider Guide
- ⑥ Lower Plate
- ⑩ Coil Spring

## COMPONENTS

No.	Description	Qty.	Material
①	Cam Driver	1	GG25
②	Cam Slider	1	CK45
③	Cam Holder	1	GG25
④	Guide Bar	1	Bronze + G
⑤	Slider Guide	1	Bronze + G
⑥	Lower Plate	1	CK45
⑦	Stopper Plate	1	CK22
⑧	Slide Plate	2	CK45
⑨	Positive Return	1	CK22
⑩	Coil Spring	1	TJL40-115
⑪	Dowel Pin	4	Ø8 x 30
⑫	Disc Spring	2	M6
⑬	Screw	1	M12 x 35
⑭	Screw	2	M12 x 40
⑮	Screw	4	M10 x 25

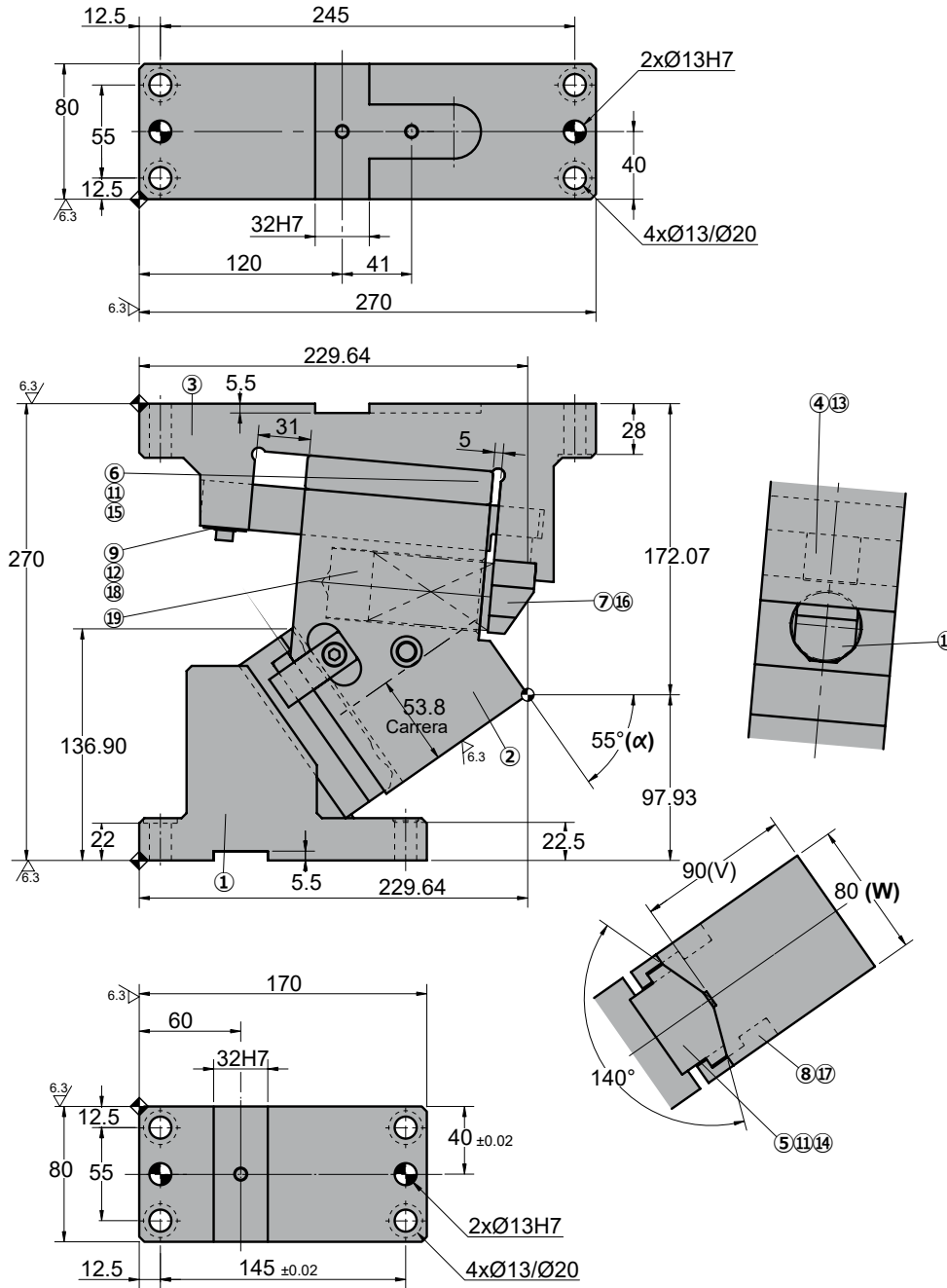
No.	Description	Qty.	Material
⑯	Screw	2	M10 x 30
⑰	Screw	2	M8 x 18
⑱	Screw	2	M6 x 10
⑲	Spacer	1	CK45

# ASGN 0080

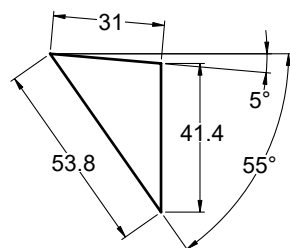
Aerial cam for pierce



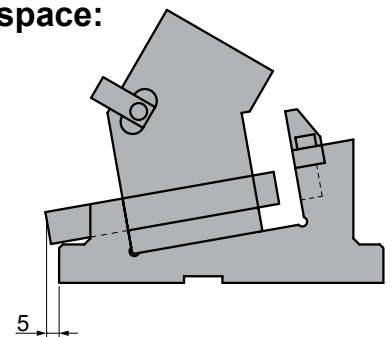
## ASGN 0080 55



◦Cam diagram:



◦Disassembling space:





# ASGN 0080

Aerial cam for pierce

Stroke (mm)	Working force kN - (tons)		Spring Force N - (kgf)		Weight (Kg)	Model	W (mm)	$\alpha$ (mm)
	(1 Million Strokes)	(300.000 Strokes)	Initial F <sub>0</sub>	Final F <sub>1</sub>				
53.8	49.0 (5.0)	98.0 (10.0)	565.5 (57.6)	1914.0 (194.9)	30.0	<b>ASGN</b>	<b>0080</b>	<b>55</b>



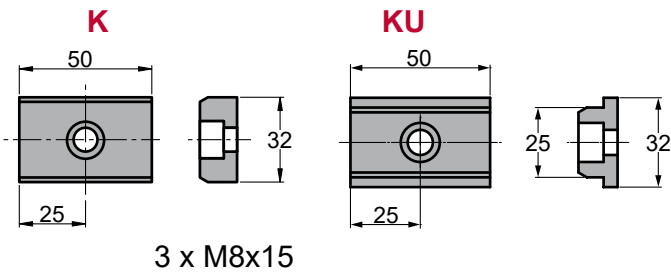
Order: Model (W) ( $\alpha$ )

**ASGN 0080 55**

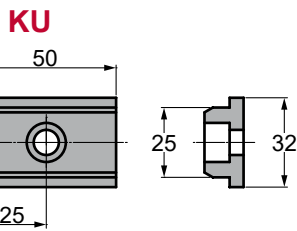
Siempre de pedir las piezas de acuerdo con el catálogo de este artículo.  
Reducción de costes aplicando opciones de configuración de opciones.

## OPTIONS

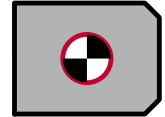
### K - KU



### KEY



### P PINS



**P12 - Ø12 H7.**

Order Options: Model (W) ( $\alpha$ )-Option



**ASGN 0080 55-K**

**ASGN 0080 55-P12**

**ASGN 0080 55-P12-K**



### SPARE PARTS:

- ⑤ Slider Guide
- ⑥ Lower Plate
- ⑩ Coil Spring

## COMPONENTS

No.	Description	Qty.	Material
①	Cam Driver	1	GG25
②	Cam Slider	1	CK45
③	Cam Holder	1	GG25
④	Guide Bar	1	Bronze + G
⑤	Slider Guide	1	Bronze + G
⑥	Lower Plate	1	CK45
⑦	Stopper Plate	1	CK22
⑧	Slide Plate	2	CK45
⑨	Positive Return	1	CK22
⑩	Coil Spring	1	TJL40-115
⑪	Dowel Pin	4	Ø8 x 30
⑫	Disc Spring	2	M6
⑬	Screw	1	M12 x 35
⑭	Screw	2	M12 x 40
⑮	Screw	4	M10 x 25

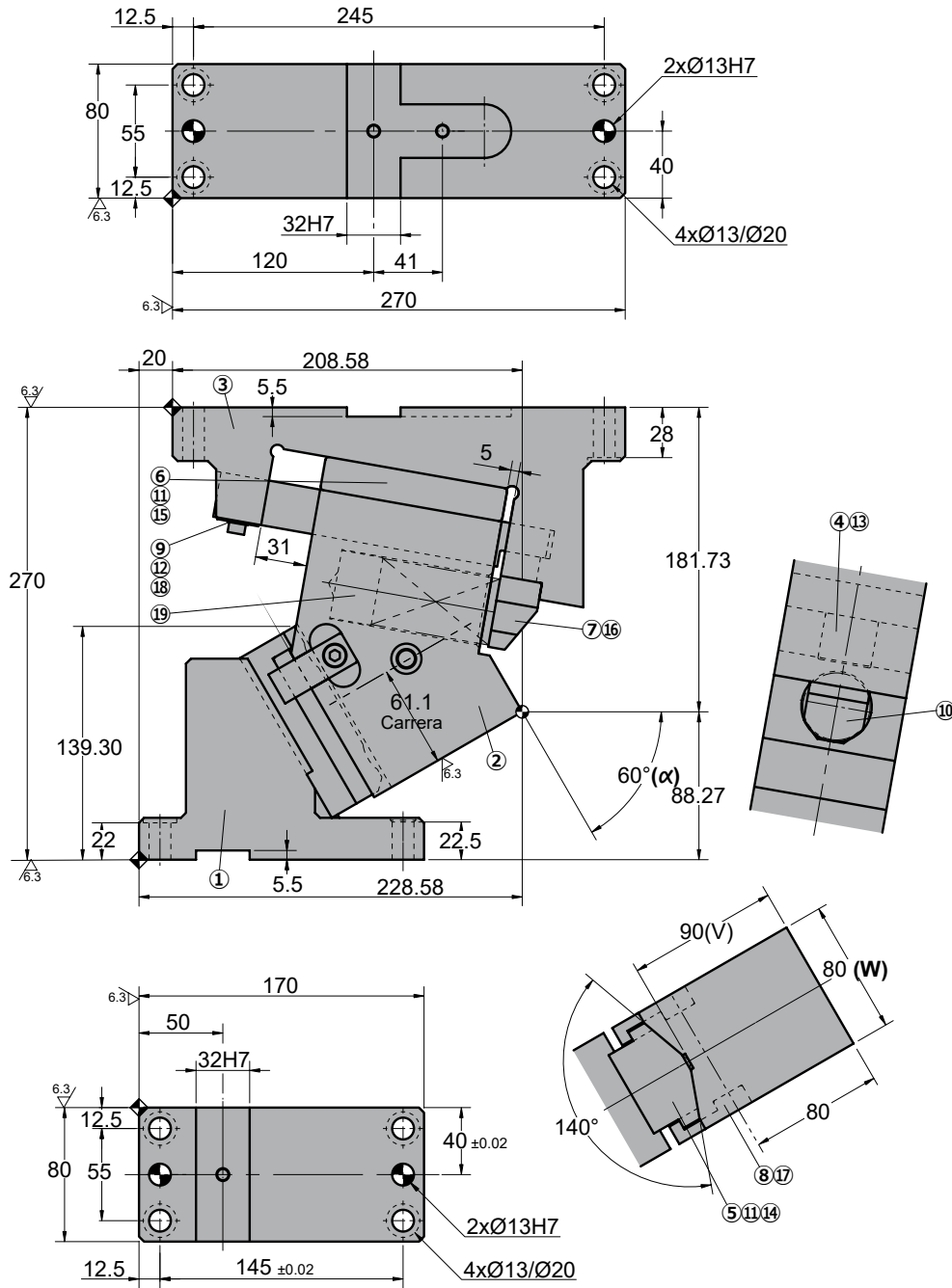
No.	Description	Qty.	Material
⑯	Screw	2	M10 x 30
⑰	Screw	2	M8 x 18
⑱	Screw	2	M6 x 10
⑲	Spacer	1	CK45

# ASGN 0080

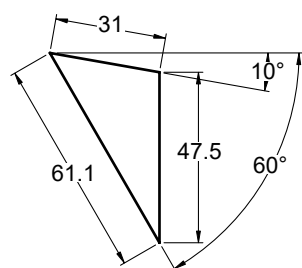
Aerial cam for pierce



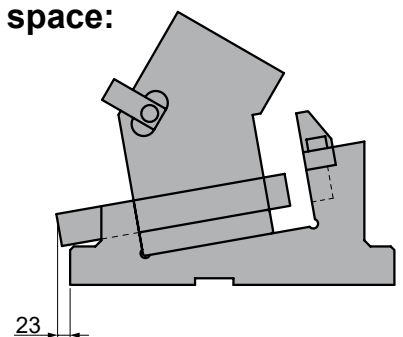
## ASGN 0080 60



◦Cam diagram:



◦Disassembling space:







# ASGN 0080

Aerial cam for pierce

Stroke (mm)	Working force kN - (tons)		Spring Force N - (kgf)		Weight (Kg)	Model	W (mm)	$\alpha$ (mm)
	(1 Million Strokes)	(300.000 Strokes)	Initial F <sub>0</sub>	Final F <sub>1</sub>				
61.1	49.0 (5.0)	98.0 (10.0)	565.5 (57.6)	1914.0 (194.9)	31.0	<b>ASGN</b>	<b>0080</b>	<b>60</b>

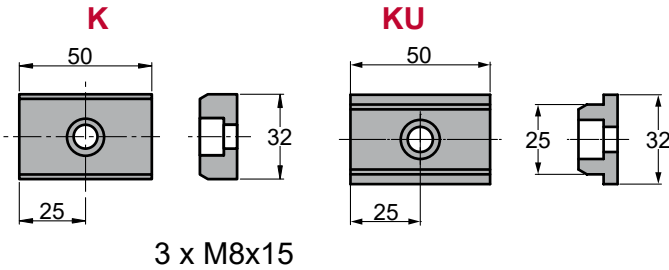


Order: **Model** **(W)** **( $\alpha$ )**  
**ASGN 0080 60**

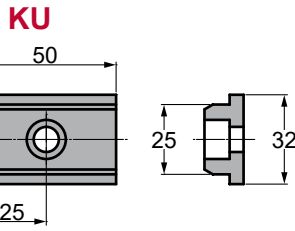
Siempre de pedir las piezas de acuerdo con el catálogo de este artículo.  
 Reducción de costes aplicando opciones de configuración de opciones.

## OPTIONS

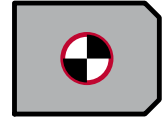
### K - KU



### KEY



### P PINS



**P12 - Ø12 H7.**

### Order Options: Model (W) ( $\alpha$ )-Option



**ASGN 0080 60-K**  
**ASGN 0080 60-P12**  
**ASGN 0080 60-P12-K**



### SPARE PARTS:

- ⑤ Slider Guide
- ⑥ Lower Plate
- ⑩ Coil Spring

## COMPONENTS

No.	Description	Qty.	Material
①	Cam Driver	1	GG25
②	Cam Slider	1	CK45
③	Cam Holder	1	GG25
④	Guide Bar	1	Bronze + G
⑤	Slider Guide	1	Bronze + G
⑥	Lower Plate	1	CK45
⑦	Stopper Plate	1	CK22
⑧	Slide Plate	2	CK45
⑨	Positive Return	1	CK22
⑩	Coil Spring	1	TJL40-115
⑪	Dowel Pin	4	Ø8 x 30
⑫	Disc Spring	2	M6
⑬	Screw	1	M12 x 35
⑭	Screw	2	M12 x 40
⑮	Screw	4	M10 x 25

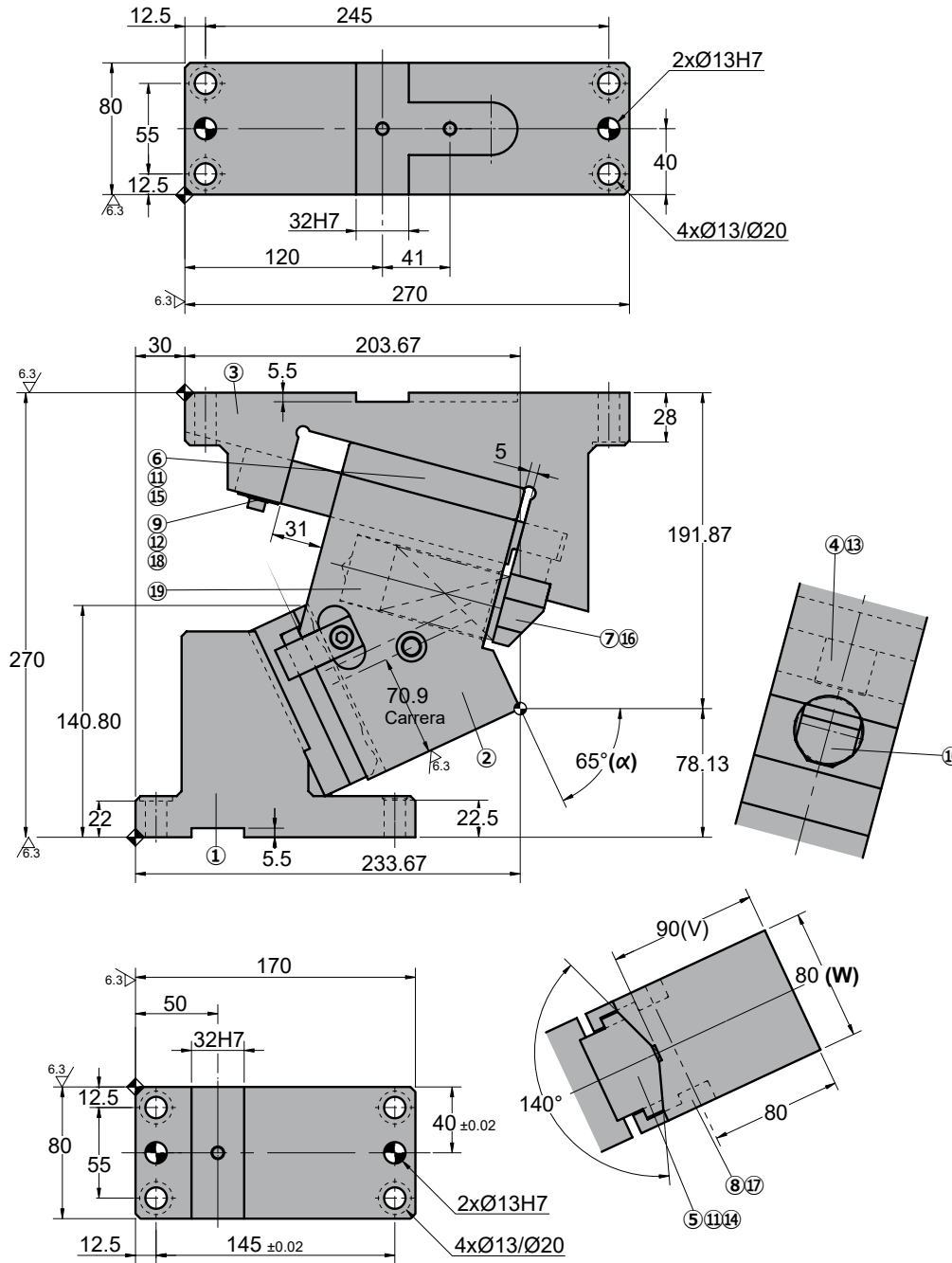
No.	Description	Qty.	Material
⑯	Screw	2	M10 x 30
⑰	Screw	2	M8 x 18
⑱	Screw	2	M6 x 10
⑲	Spacer	1	CK45

# ASGN 0080

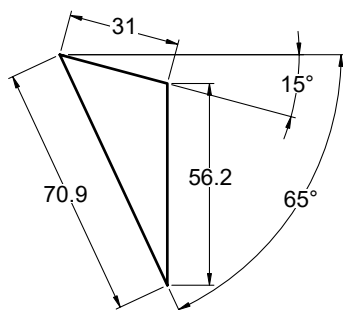
Aerial cam for pierce



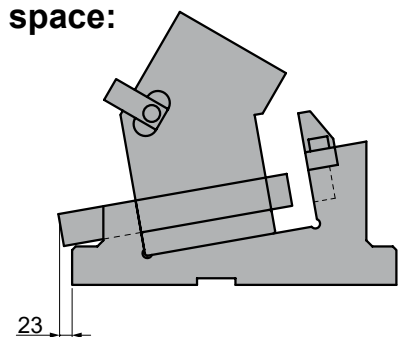
## ASGN 0080 65



◦Cam diagram:



◦Disassembling space:





# ASGN 0080

Aerial cam for pierce

Stroke (mm)	Working force kN - (tons)		Spring Force N - (kgf)		Weight (Kg)	Model	W (mm)	$\alpha$ (mm)
	(1 Million Strokes)	(300.000 Strokes)	Initial F <sub>0</sub>	Final F <sub>1</sub>				
70.9	49.0 (5.0)	98.0 (10.0)	565.5 (57.6)	1914.0 (194.9)	32.0	<b>ASGN</b>	<b>0080</b>	<b>65</b>

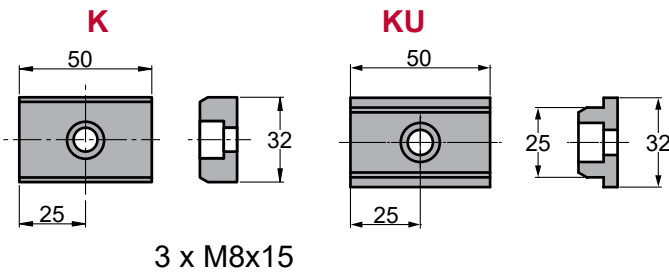


Order: **Model** **(W)** **( $\alpha$ )**  
**ASGN 0080 65**

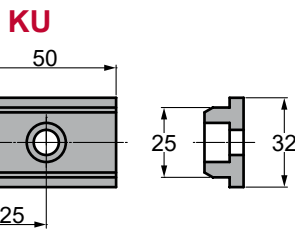
Siempre de pedir las piezas de acuerdo con el catálogo de este artículo.  
 Reducción de costes aplicando opciones de configuración de opciones.

## OPTIONS

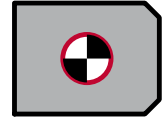
### K - KU



### KEY



### P PINS



**P12 - Ø12 H7.**

### Order Options: Model (W) ( $\alpha$ )-Option



**ASGN 0080 65-K**  
**ASGN 0080 65-P12**  
**ASGN 0080 65-P12-K**



### SPARE PARTS:

- ⑤ Slider Guide
- ⑥ Lower Plate
- ⑩ Coil Spring

## COMPONENTS

No.	Description	Qty.	Material
①	Cam Driver	1	GG25
②	Cam Slider	1	CK45
③	Cam Holder	1	GG25
④	Guide Bar	1	Bronze + G
⑤	Slider Guide	1	Bronze + G
⑥	Lower Plate	1	CK45
⑦	Stopper Plate	1	CK22
⑧	Slide Plate	2	CK45
⑨	Positive Return	1	CK22
⑩	Coil Spring	1	TJL40-115
⑪	Dowel Pin	4	Ø8 x 30
⑫	Disc Spring	2	M6
⑬	Screw	1	M12 x 35
⑭	Screw	2	M12 x 40
⑮	Screw	4	M10 x 25

No.	Description	Qty.	Material
⑯	Screw	2	M10 x 30
⑰	Screw	2	M8 x 18
⑱	Screw	2	M6 x 10
⑲	Spacer	1	CK45

# ASGN 0080

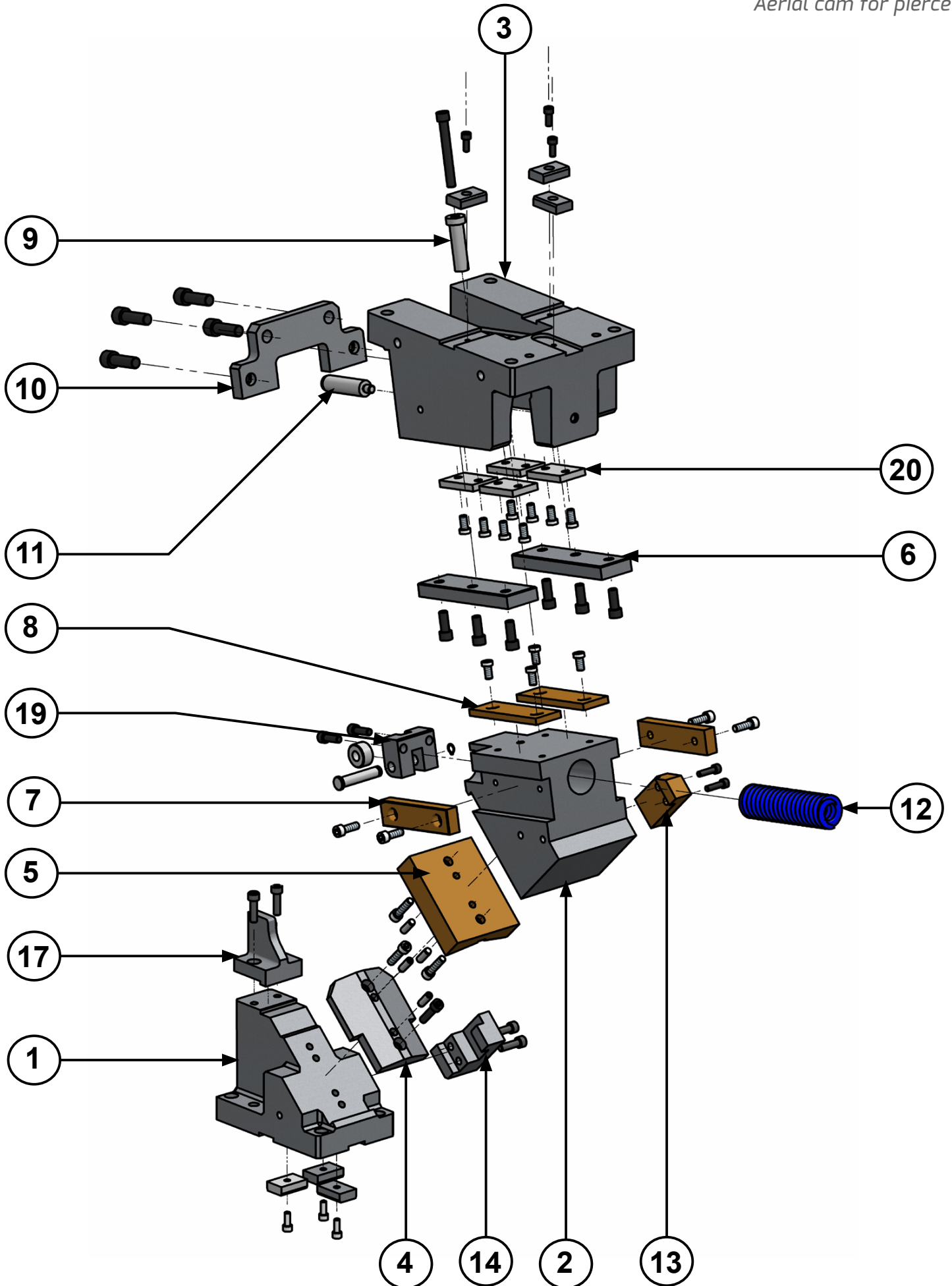


*Aerial cam for pierce*



# ASGN 0150

*Aerial cam for pierce*

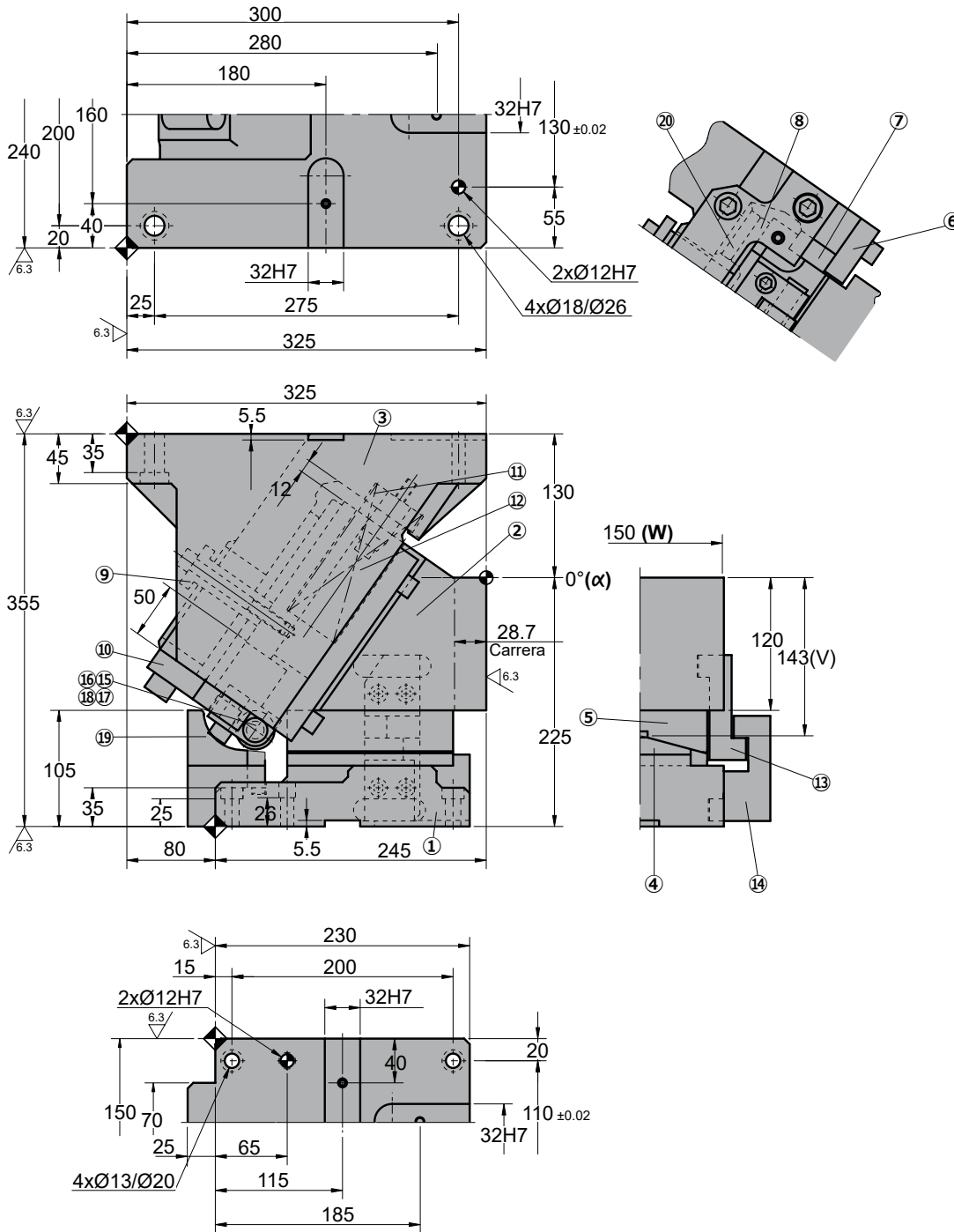


# ASGN 0150

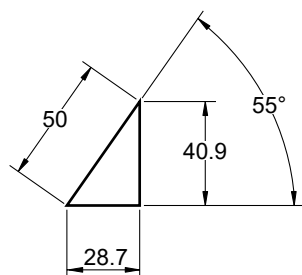
Aerial cam for pierce



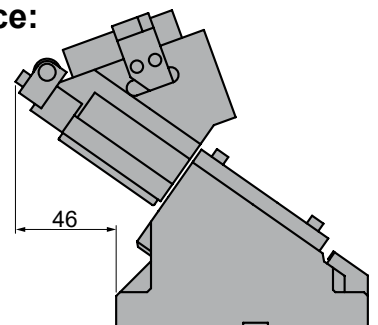
## ASGN 0150 00



◦Cam diagram:



◦Disassembling space:





# ASGN 0150

Aerial cam for pierce

Stroke (mm)	Working force kN - (tons)		Spring Force N - (kgf)		Weight (Kg)	Model	W (mm)	$\alpha$ (mm)
	(1 Million Strokes)	(300.000 Strokes)	Initial F <sub>0</sub>	Final F <sub>1</sub>				
28.7	147.0 (15.0)	294.0 (30.0)	862.4 (87.9)	7022.4 (715.9)	117.6	<b>ASGN</b>	<b>0150</b>	<b>00</b>

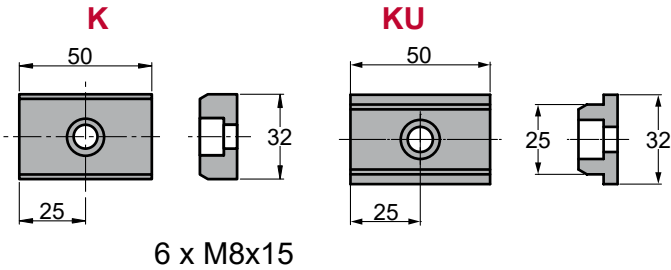


Order: **Model (W) ( $\alpha$ )**  
**ASGN 0150 00**

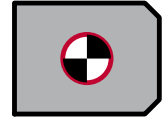
Standard order example according to catalog sheet.  
 Add options applying options table contents.

## OPTIONS

### K - KU



### P PINS



**P13 - Ø13 H7.**

### Order Options: Model (W) ( $\alpha$ )-Option



**ASGN 0150 00-K**  
**ASGN 0150 00-P13**  
**ASGN 0150 00-P13-K**



### SPARE PARTS:

- ⑤ Slider guide 2
- ⑦ Slider Guide Plate
- ⑧ Slide Plate 1
- ⑫ Coil Spring
- ⑬ Internal Positive Return

## COMPONENTS

No.	Description	Qty.	Material
①	Cam Driver	1	GG25
②	Cam Slider	1	GG25
③	Cam Holder	1	GG25
④	Slide Guide 1	1	CK45
⑤	Slide Guide 2	1	Bronze + G
⑥	Upper Plate	2	CK45
⑦	Slider Guide Plate	2	Bronze + G
⑧	Slide Plate 1	2	Bronze + G
⑨	Security Guide pin	1	CK45
⑩	Stopper Plate	1	CK45
⑪	Spring Guide Plate	1	CK45
⑫	Coil Spring	1	TJH50-203
⑬	Internal Positive Return	1	Bronze + G
⑭	External Positive Return	1	CK45
⑮	Bearing	1	NUTR15

No.	Description	Qty.	Material
⑯	Shaft	1	CK45
⑰	Roller Body	1	CK45
⑱	Bushing	1	Bronze + G
⑲	Bearing Guide	1	CK45
⑳	Slide Plate 2	4	CK45

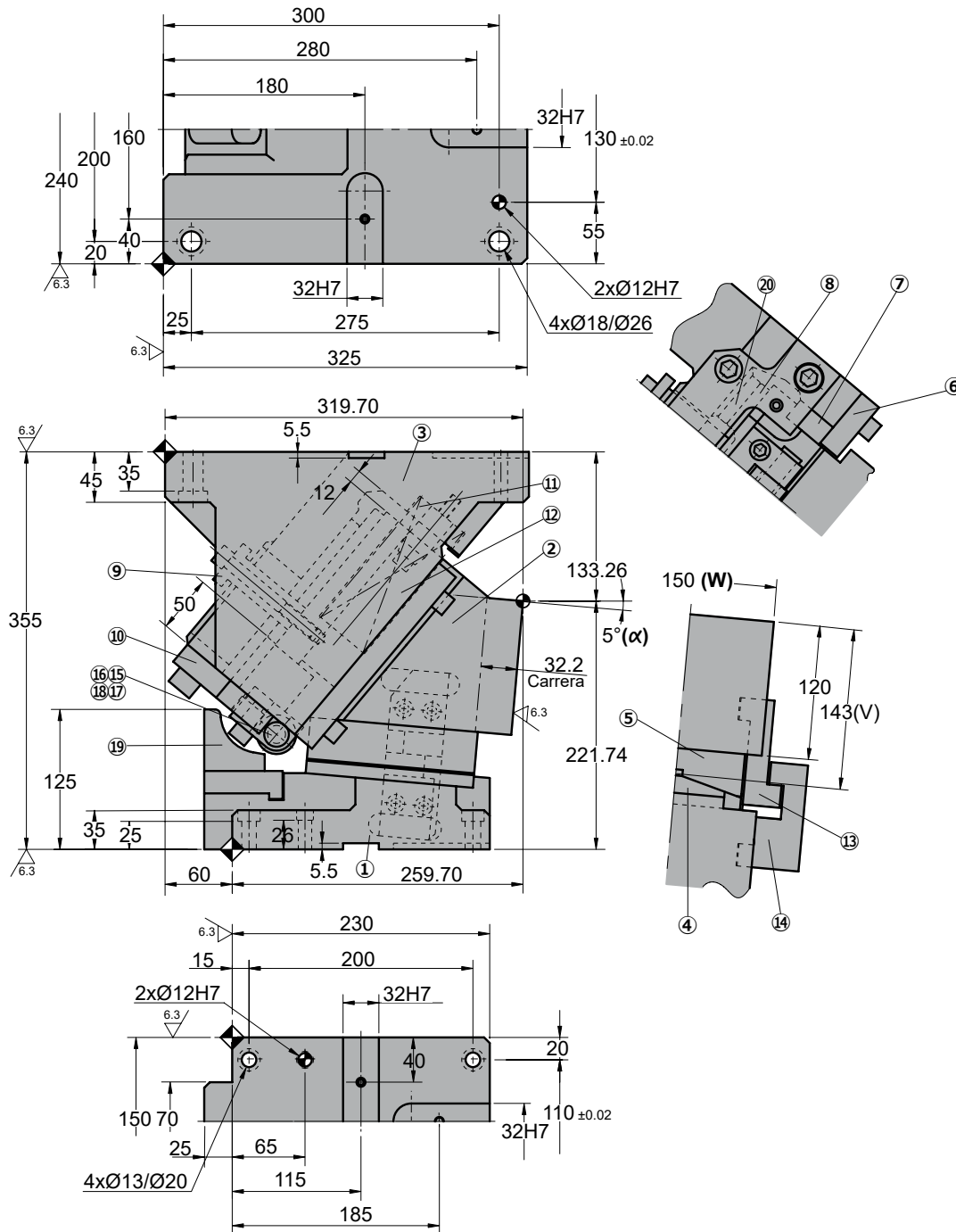


# ASGN 0150

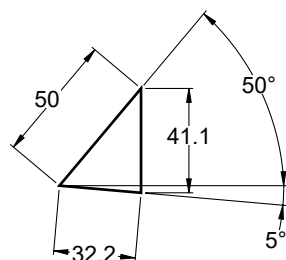
Aerial cam for pierce



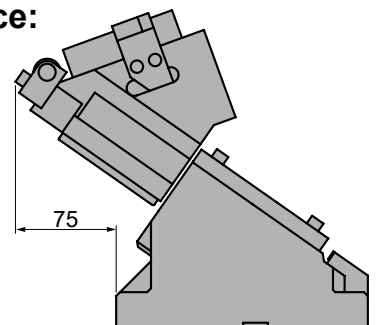
## ASGN 0150 05



◦Cam diagram:



◦Disassembling space:





# ASGN 0150

Aerial cam for pierce

Stroke (mm)	Working force kN - (tons)		Spring Force N - (kgf)		Weight (Kg)	Model	W (mm)	$\alpha$ (mm)
	(1 Million Strokes)	(300.000 Strokes)	Initial F <sub>0</sub>	Final F <sub>1</sub>				
32.2	147.0 (15.0)	294.0 (30.0)	862.4 (87.9)	7022.4 (715.9)	114.0	<b>ASGN</b>	<b>0150</b>	<b>05</b>

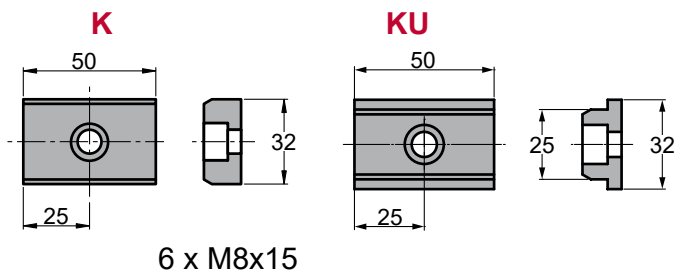


Order: **Model (W) ( $\alpha$ )**  
**ASGN 0150 05**

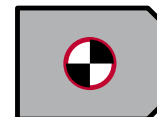
Standard order example according to catalog sheet. Add options applying options table contents.

## OPTIONS

### K - KU



### P PINS



**P13 - Ø13 H7.**

### Order Options: Model (W) ( $\alpha$ )-Option



**ASGN 0150 05-K**  
**ASGN 0150 05-P13**  
**ASGN 0150 05-P13-K**



### SPARE PARTS:

- ⑤ Slider guide 2
- ⑦ Slider Guide Plate
- ⑧ Slide Plate 1
- ⑫ Coil Spring
- ⑬ Internal Positive Return

## COMPONENTS

No.	Description	Qty.	Material
①	Cam Driver	1	GG25
②	Cam Slider	1	GG25
③	Cam Holder	1	GG25
④	Slide Guide 1	1	CK45
⑤	Slide Guide 2	1	Bronze + G
⑥	Upper Plate	2	CK45
⑦	Slider Guide Plate	2	Bronze + G
⑧	Slide Plate 1	2	Bronze + G
⑨	Security Guide pin	1	CK45
⑩	Stopper Plate	1	CK45
⑪	Spring Guide Plate	1	CK45
⑫	Coil Spring	1	TJH50-203
⑬	Internal Positive Return	1	Bronze + G
⑭	External Positive Return	1	CK45
⑮	Bearing	1	NUTR15

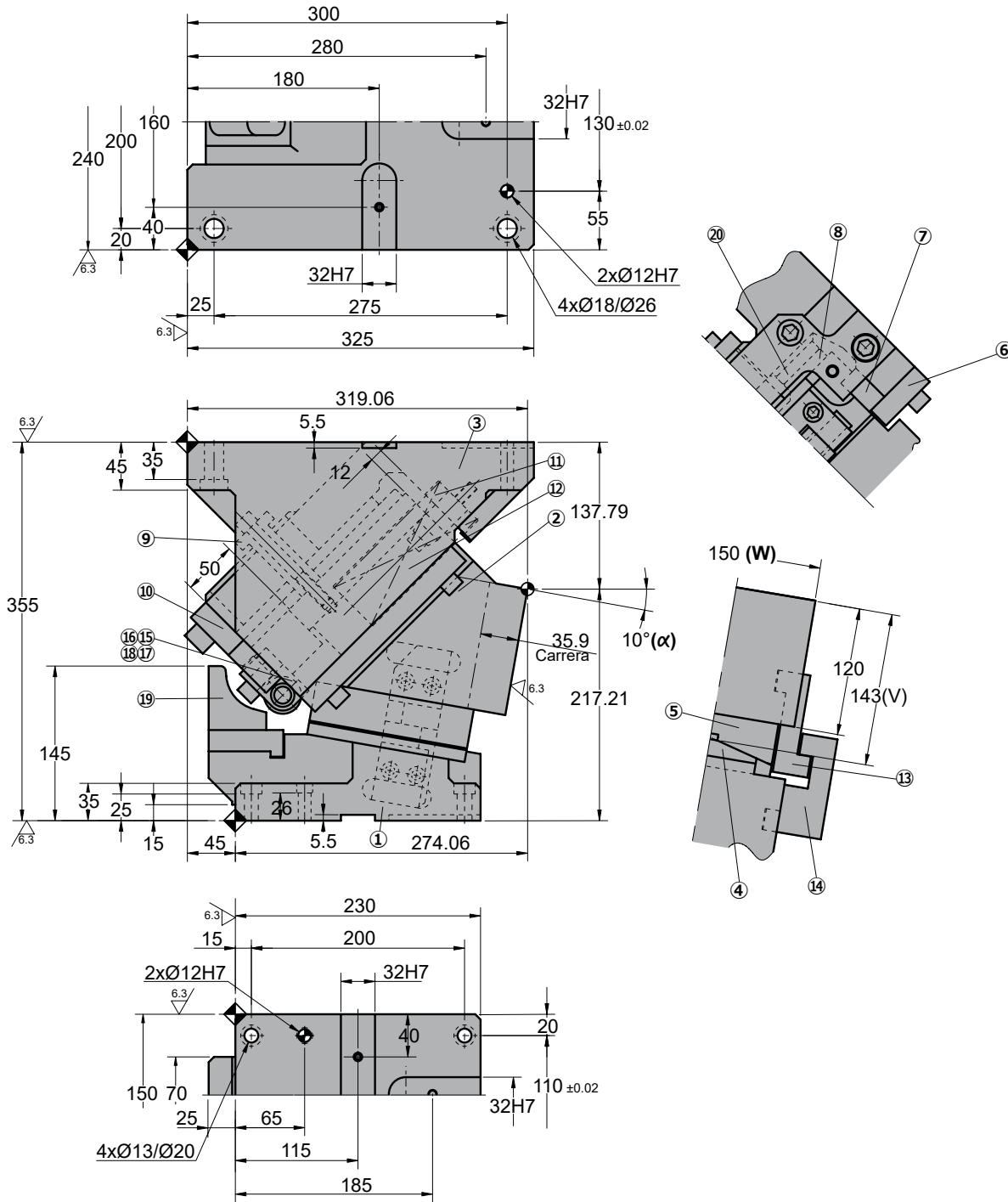
No.	Description	Qty.	Material
⑯	Shaft	1	CK45
⑰	Roller Body	1	CK45
⑱	Bushing	1	Bronze + G
⑲	Bearing Guide	1	CK45
⑳	Slide Plate 2	4	CK45

# ASGN 0150

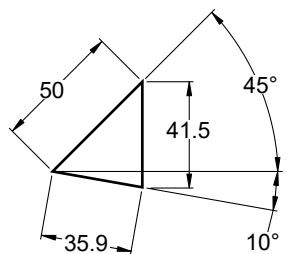
Aerial cam for pierce



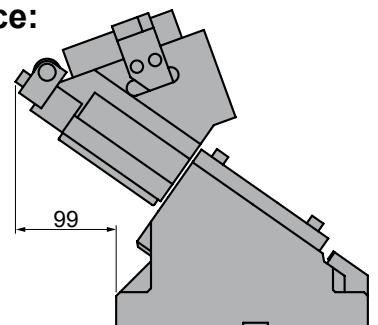
## ASGN 0150 10



◦Cam diagram:



◦Disassembling space:





# ASGN 0150

Aerial cam for pierce

Stroke (mm)	Working force kN - (tons)		Spring Force N - (kgf)		Weight (Kg)	Model	W (mm)	$\alpha$ (mm)
	(1 Million Strokes)	(300.000 Strokes)	Initial F <sub>0</sub>	Final F <sub>1</sub>				
35.9	147.0 (15.0)	294.0 (30.0)	862.4 (87.9)	7022.4 (715.9)	113.4	<b>ASGN</b>	<b>0150</b>	<b>10</b>

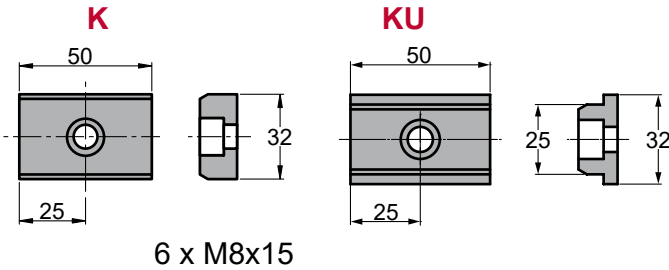


Order: Model (W) ( $\alpha$ )  
**ASGN 0150 10**

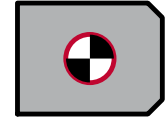
Standard order example according to catalog sheet. Add options applying options table contents.

## OPTIONS

### K - KU



### P PINS



**P13 - Ø13 H7.**

### Order Options: Model (W) ( $\alpha$ )-Option



**ASGN 0150 10-K**  
**ASGN 0150 10-P13**  
**ASGN 0150 10-P13-K**



### SPARE PARTS:

- ⑤ Slider guide 2
- ⑦ Slider Guide Plate
- ⑧ Slide Plate 1
- ⑫ Coil Spring
- ⑬ Internal Positive Return

## COMPONENTS

No.	Description	Qty.	Material
①	Cam Driver	1	GG25
②	Cam Slider	1	GG25
③	Cam Holder	1	GG25
④	Slide Guide 1	1	CK45
⑤	Slide Guide 2	1	Bronze + G
⑥	Upper Plate	2	CK45
⑦	Slider Guide Plate	2	Bronze + G
⑧	Slide Plate 1	2	Bronze + G
⑨	Security Guide pin	1	CK45
⑩	Stopper Plate	1	CK45
⑪	Spring Guide Plate	1	CK45
⑫	Coil Spring	1	TJH50-203
⑬	Internal Positive Return	1	Bronze + G
⑭	External Positive Return	1	CK45
⑮	Bearing	1	NUTR15

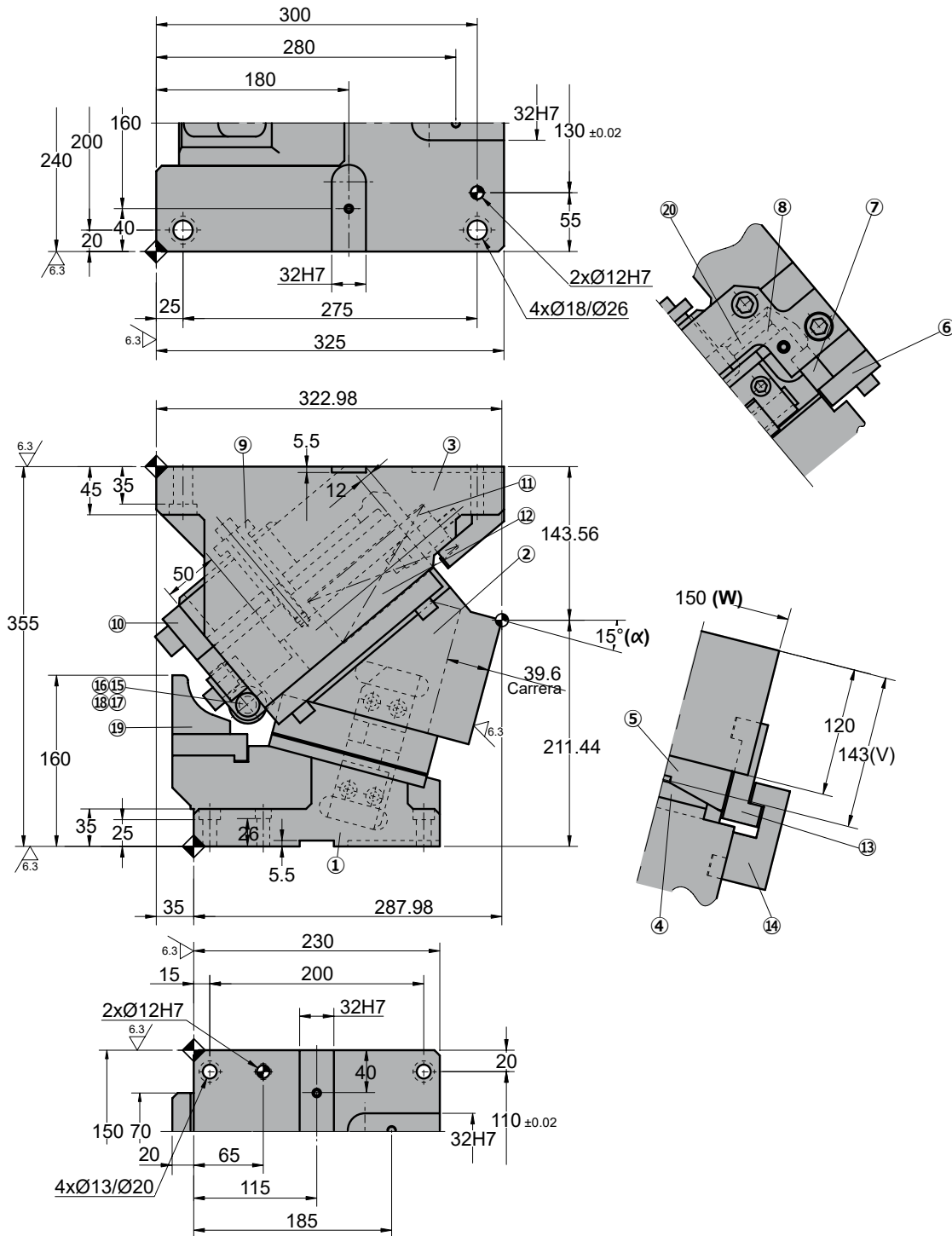
No.	Description	Qty.	Material
⑯	Shaft	1	CK45
⑰	Roller Body	1	CK45
⑱	Bushing	1	Bronze + G
⑲	Bearing Guide	1	CK45
⑳	Slide Plate 2	4	CK45

# ASGN 0150

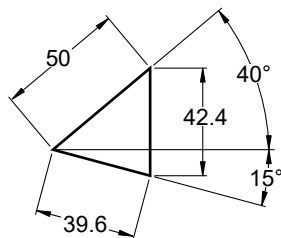
Aerial cam for pierce



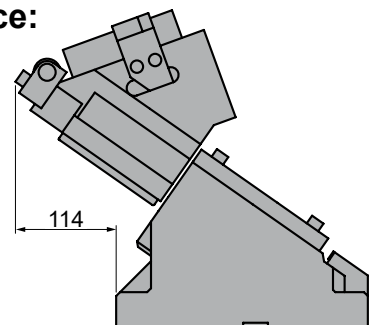
## ASGN 0150 15



◦Cam diagram:



◦Disassembling space:





# ASGN 0150

Aerial cam for pierce

Stroke (mm)	Working force kN - (tons)		Spring Force N - (kgf)		Weight (Kg)	Model	W (mm)	$\alpha$ (mm)
	(1 Million Strokes)	(300.000 Strokes)	Initial F <sub>0</sub>	Final F <sub>1</sub>				
39.6	147.0 (15.0)	294.0 (30.0)	862.4 (87.9)	7022.4 (715.9)	111.9	<b>ASGN</b>	<b>0150</b>	<b>15</b>

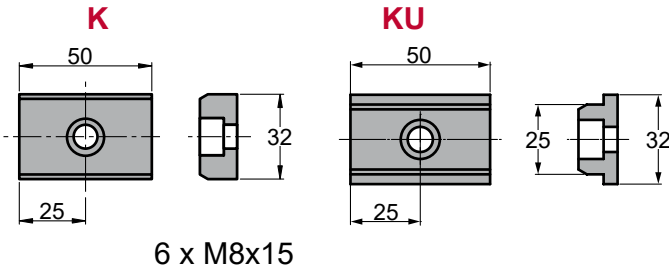


Order: Model (W) ( $\alpha$ )  
**ASGN 0150 15**

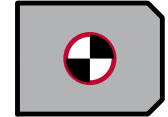
Standard order example according to catalog sheet.  
 Add options applying options table contents.

## OPTIONS

### K - KU



### P PINS



**P13 - Ø13 H7.**

### Order Options: Model (W) ( $\alpha$ )-Option



**ASGN 0150 15-K**  
**ASGN 0150 15-P13**  
**ASGN 0150 15-P13-K**



### SPARE PARTS:

- ⑤ Slider guide 2
- ⑦ Slider Guide Plate
- ⑧ Slide Plate 1
- ⑫ Coil Spring
- ⑬ Internal Positive Return

## COMPONENTS

No.	Description	Qty.	Material
①	Cam Driver	1	GG25
②	Cam Slider	1	GG25
③	Cam Holder	1	GG25
④	Slide Guide 1	1	CK45
⑤	Slide Guide 2	1	Bronze + G
⑥	Upper Plate	2	CK45
⑦	Slider Guide Plate	2	Bronze + G
⑧	Slide Plate 1	2	Bronze + G
⑨	Security Guide pin	1	CK45
⑩	Stopper Plate	1	CK45
⑪	Spring Guide Plate	1	CK45
⑫	Coil Spring	1	TJH50-203
⑬	Internal Positive Return	1	Bronze + G
⑭	External Positive Return	1	CK45
⑮	Bearing	1	NUTR15

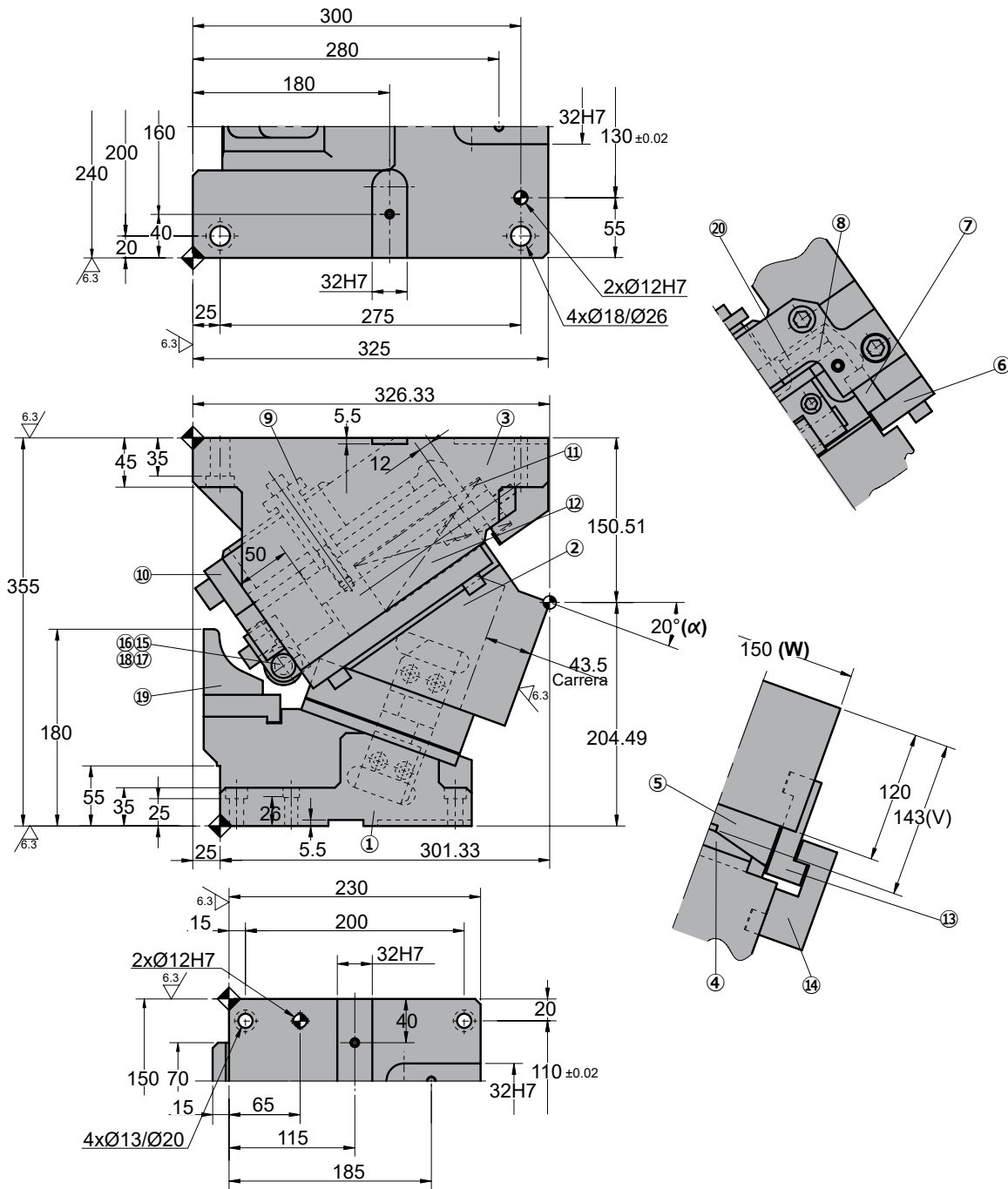
No.	Description	Qty.	Material
⑯	Shaft	1	CK45
⑰	Roller Body	1	CK45
⑱	Bushing	1	Bronze + G
⑲	Bearing Guide	1	CK45
⑳	Slide Plate 2	4	CK45

# ASGN 0150

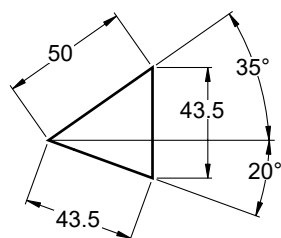
Aerial cam for pierce



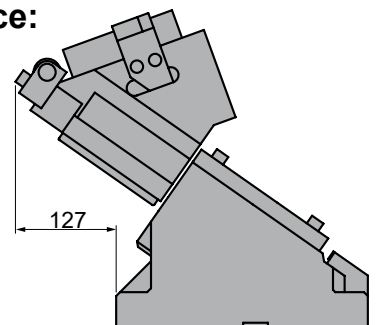
## ASGN 0150 20



◦Cam diagram:



◦Disassembling space:







# ASGN 0150

Aerial cam for pierce

Stroke (mm)	Working force kN - (tons)		Spring Force N - (kgf)		Weight (Kg)	Model	W (mm)	$\alpha$ (mm)
	(1 Million Strokes)	(300.000 Strokes)	Initial F <sub>0</sub>	Final F <sub>1</sub>				
43.5	147.0 (15.0)	294.0 (30.0)	862.4 (87.9)	7022.4 (715.9)	111.3	<b>ASGN</b>	<b>0150</b>	<b>20</b>

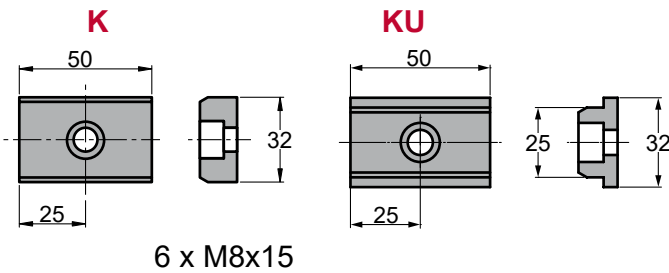


Order: Model (W) ( $\alpha$ )  
**ASGN 0150 20**

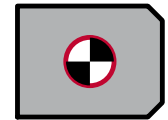
Standard order example according to catalog sheet. Add options applying options table contents.

## OPTIONS

### K - KU



### P PINS



**P13 - Ø13 H7.**

### Order Options: Model (W) ( $\alpha$ )-Option



**ASGN 0150 20-K**  
**ASGN 0150 20-P13**  
**ASGN 0150 20-P13-K**



### SPARE PARTS:

- ⑤ Slider guide 2
- ⑦ Slider Guide Plate
- ⑧ Slide Plate 1
- ⑫ Coil Spring
- ⑬ Internal Positive Return

## COMPONENTS

No.	Description	Qty.	Material
①	Cam Driver	1	GG25
②	Cam Slider	1	GG25
③	Cam Holder	1	GG25
④	Slide Guide 1	1	CK45
⑤	Slide Guide 2	1	Bronze + G
⑥	Upper Plate	2	CK45
⑦	Slider Guide Plate	2	Bronze + G
⑧	Slide Plate 1	2	Bronze + G
⑨	Security Guide pin	1	CK45
⑩	Stopper Plate	1	CK45
⑪	Spring Guide Plate	1	CK45
⑫	Coil Spring	1	TJH50-203
⑬	Internal Positive Return	1	Bronze + G
⑭	External Positive Return	1	CK45
⑮	Bearing	1	NUTR15

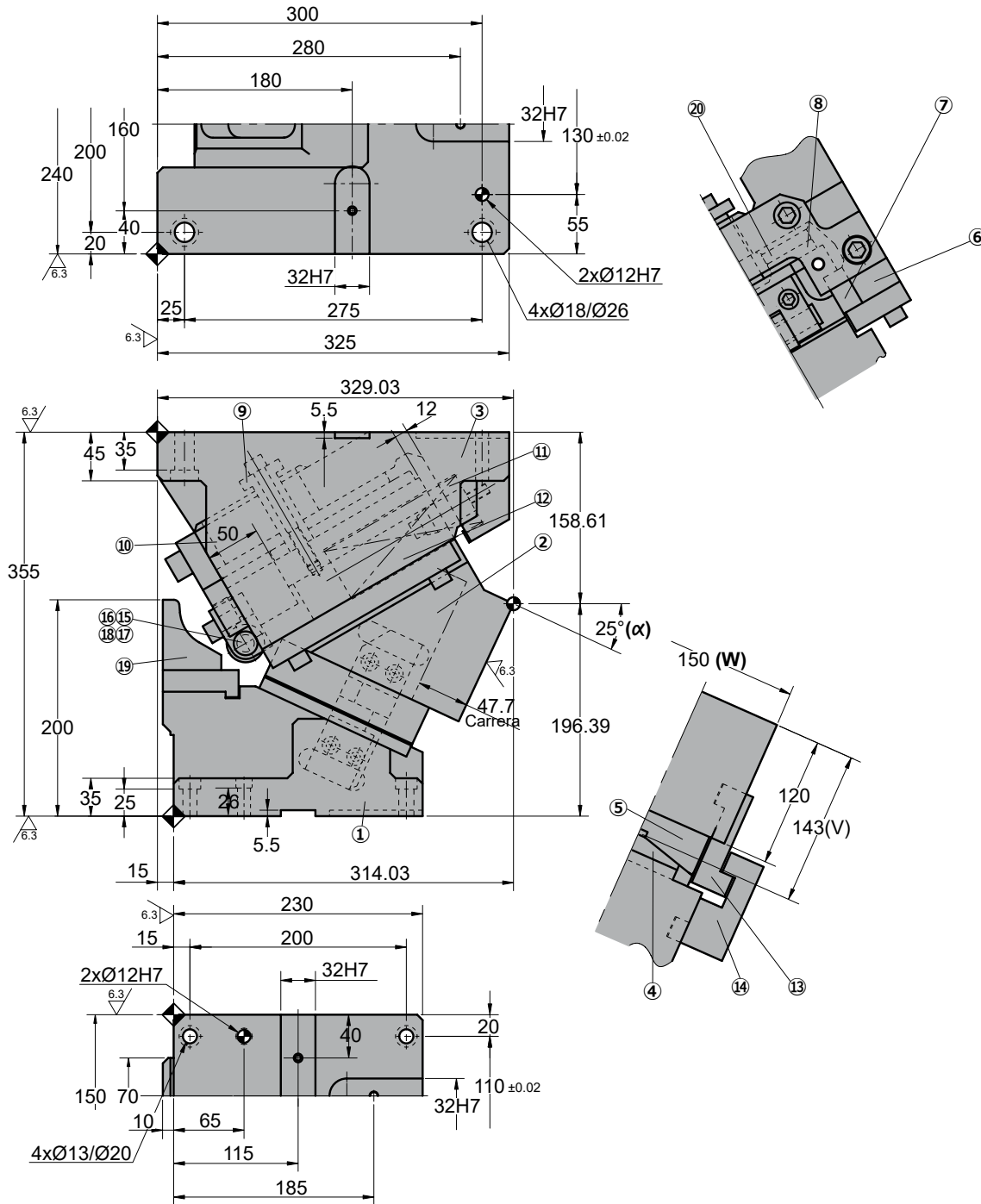
No.	Description	Qty.	Material
⑯	Shaft	1	CK45
⑰	Roller Body	1	CK45
⑱	Bushing	1	Bronze + G
⑲	Bearing Guide	1	CK45
⑳	Slide Plate 2	4	CK45

# ASGN 0150

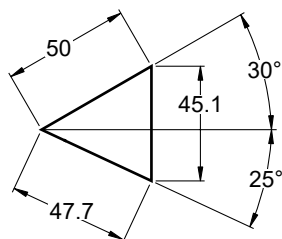
Aerial cam for pierce



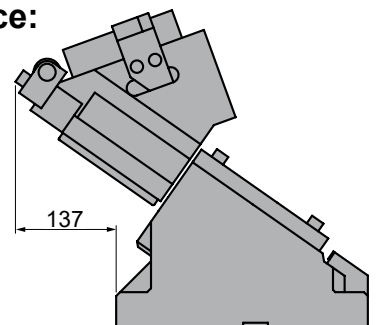
## ASGN 0150 25



◦Cam diagram:



◦Disassembling space:





# ASGN 0150

Aerial cam for pierce

Stroke (mm)	Working force kN - (tons)		Spring Force N - (kgf)		Weight (Kg)	Model	W (mm)	$\alpha$ (mm)
	(1 Million Strokes)	(300.000 Strokes)	Initial F <sub>0</sub>	Final F <sub>1</sub>				
47.7	147.0 (15.0)	294.0 (30.0)	862.4 (87.9)	7022.4 (715.9)	111.2	<b>ASGN</b>	<b>150</b>	<b>25</b>

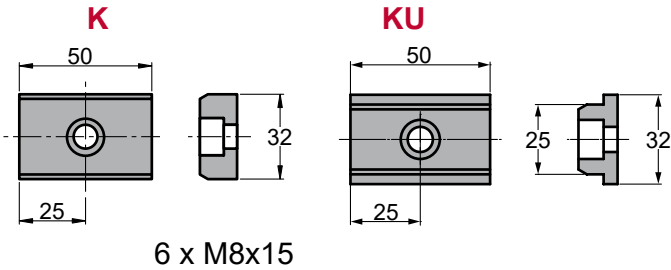


Order: Model (W) ( $\alpha$ )  
**ASGN 0150 25**

Standard order example according to catalog sheet.  
 Add options applying options table contents.

## OPTIONS

### K - KU

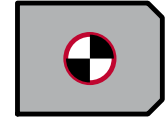


6 x M8x15

### KEY

### KU

### P PINS



**P13 - Ø13 H7.**

### Order Options: Model (W) ( $\alpha$ )-Option



**ASGN 0150 25-K**

**ASGN 0150 25-P13**

**ASGN 0150 25-P13-K**



### SPARE PARTS:

- ⑤ Slider guide 2
- ⑦ Slider Guide Plate
- ⑧ Slide Plate 1
- ⑫ Coil Spring
- ⑬ Internal Positive Return

## COMPONENTS

No.	Description	Qty.	Material
①	Cam Driver	1	GG25
②	Cam Slider	1	GG25
③	Cam Holder	1	GG25
④	Slide Guide 1	1	CK45
⑤	Slide Guide 2	1	Bronze + G
⑥	Upper Plate	2	CK45
⑦	Slider Guide Plate	2	Bronze + G
⑧	Slide Plate 1	2	Bronze + G
⑨	Security Guide pin	1	CK45
⑩	Stopper Plate	1	CK45
⑪	Spring Guide Plate	1	CK45
⑫	Coil Spring	1	TJH50-203
⑬	Internal Positive Return	1	Bronze + G
⑭	External Positive Return	1	CK45
⑮	Bearing	1	NUTR15

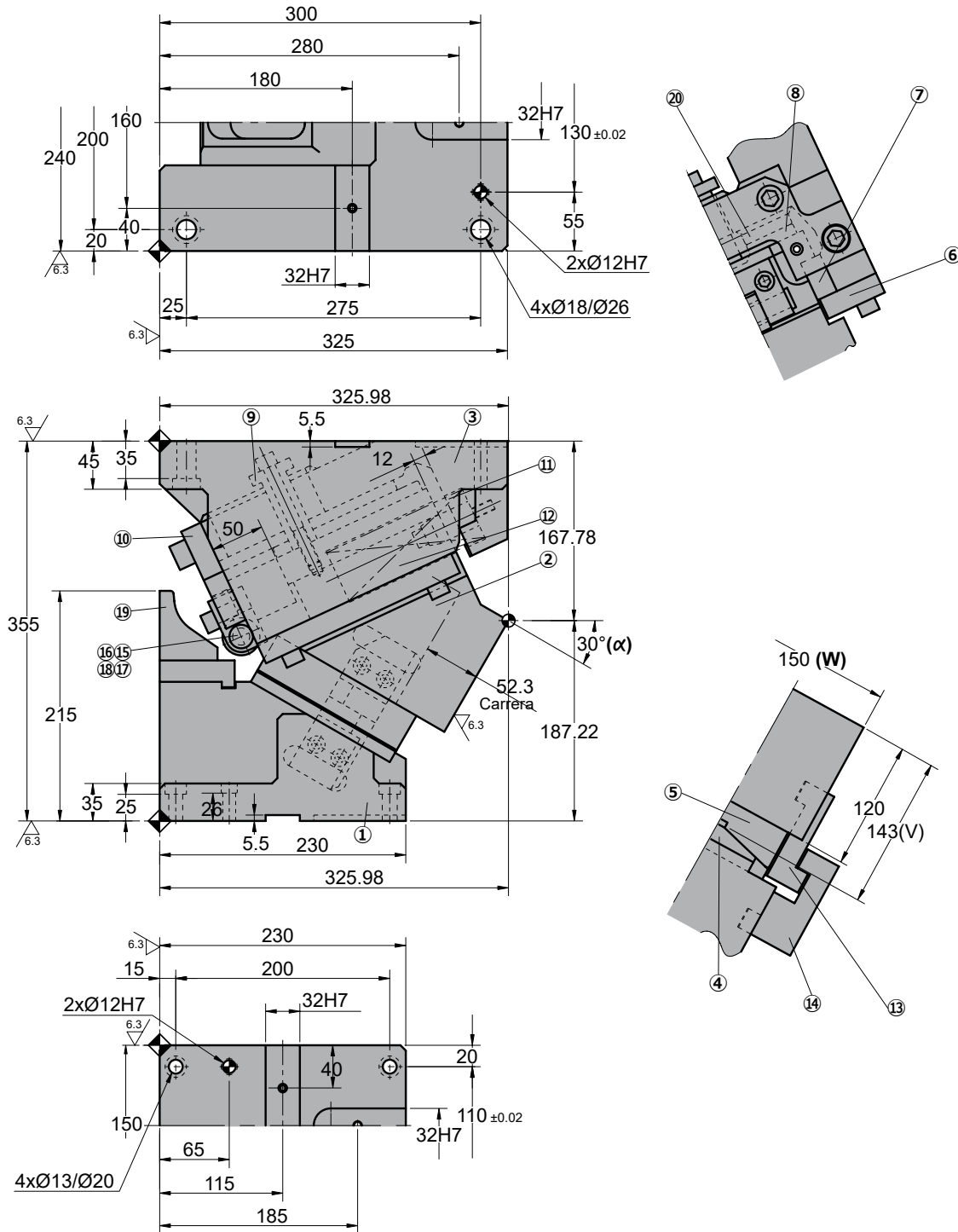
No.	Description	Qty.	Material
⑯	Shaft	1	CK45
⑰	Roller Body	1	CK45
⑱	Bushing	1	Bronze + G
⑲	Bearing Guide	1	CK45
⑳	Slide Plate 2	4	CK45

# ASGN 0150

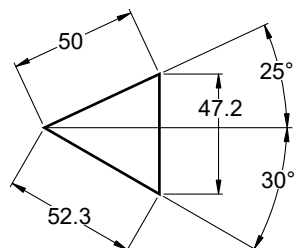
Aerial cam for pierce



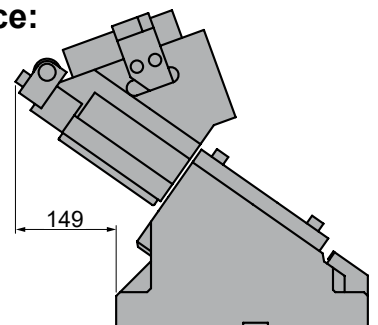
## ASGN 0150 30



◦Cam diagram:



◦Disassembling space:





# ASGN 0150

Aerial cam for pierce

Stroke (mm)	Working force kN - (tons)		Spring Force N - (kgf)		Weight (Kg)	Model	W (mm)	$\alpha$ (mm)
	(1 Million Strokes)	(300.000 Strokes)	Initial F <sub>0</sub>	Final F <sub>1</sub>				
52.3	147.0 (15.0)	294.0 (30.0)	862.4 (87.9)	7022.4 (715.9)	110.2	<b>ASGN</b>	<b>0150</b>	<b>30</b>

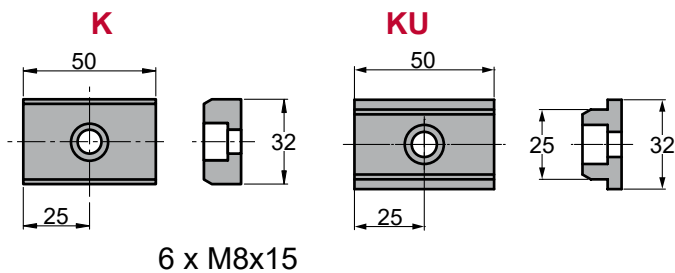


Order: Model (W) ( $\alpha$ )  
**ASGN 0150 30**

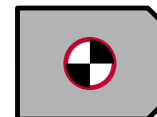
Standard order example according to catalog sheet. Add options applying options table contents.

## OPTIONS

### K - KU



### P PINS



**P13 - Ø13 H7.**

### Order Options: Model (W) ( $\alpha$ )-Option



**ASGN 0150 30-K**  
**ASGN 0150 30-P13**  
**ASGN 0150 30-P13-K**



### SPARE PARTS:

- ⑤ Slider guide 2
- ⑦ Slider Guide Plate
- ⑧ Slide Plate 1
- ⑫ Coil Spring
- ⑬ Internal Positive Return

## COMPONENTS

No.	Description	Qty.	Material
①	Cam Driver	1	GG25
②	Cam Slider	1	GG25
③	Cam Holder	1	GG25
④	Slide Guide 1	1	CK45
⑤	Slide Guide 2	1	Bronze + G
⑥	Upper Plate	2	CK45
⑦	Slider Guide Plate	2	Bronze + G
⑧	Slide Plate 1	2	Bronze + G
⑨	Security Guide pin	1	CK45
⑩	Stopper Plate	1	CK45
⑪	Spring Guide Plate	1	CK45
⑫	Coil Spring	1	TJH50-203
⑬	Internal Positive Return	1	Bronze + G
⑭	External Positive Return	1	CK45
⑮	Bearing	1	NUTR15

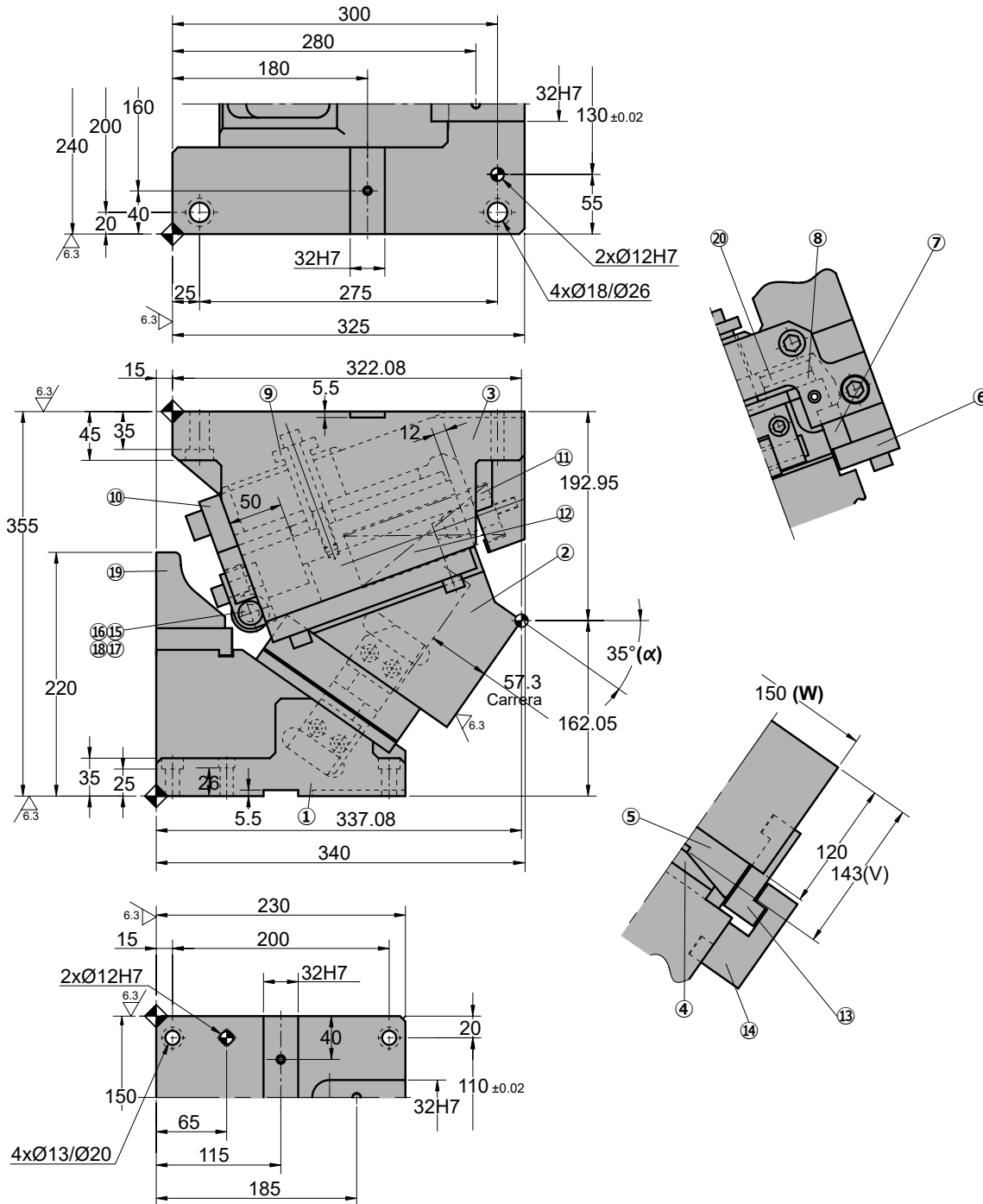
No.	Description	Qty.	Material
⑯	Shaft	1	CK45
⑰	Roller Body	1	CK45
⑱	Bushing	1	Bronze + G
⑲	Bearing Guide	1	CK45
⑳	Slide Plate 2	4	CK45

# ASGN 0150

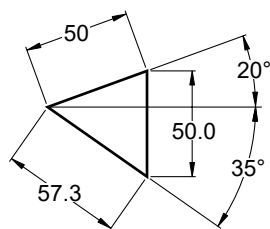
Aerial cam for pierce



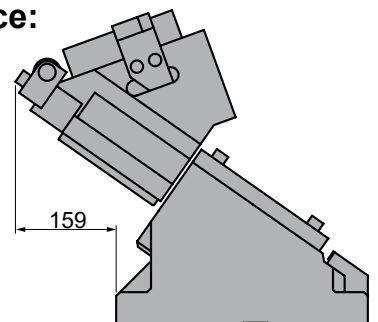
## ASGN 0150 35



◦Cam diagram:



◦Disassembling space:





# ASGN 0150

Aerial cam for pierce

Stroke (mm)	Working force kN - (tons)		Spring Force N - (kgf)		Weight (Kg)	Model	W (mm)	$\alpha$ (mm)
	(1 Million Strokes)	(300.000 Strokes)	Initial F <sub>0</sub>	Final F <sub>1</sub>				
57.3	147.0 (15.0)	294.0 (30.0)	862.4 (87.9)	7022.4 (715.9)	113.1	<b>ASGN</b>	<b>0150</b>	<b>35</b>

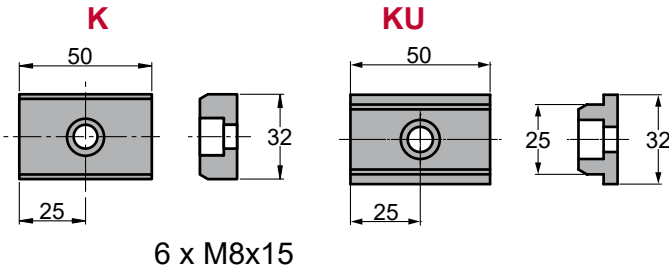


Order: **Model (W) ( $\alpha$ )**  
**ASGN 0150 35**

Standard order example according to catalog sheet.  
 Add options applying options table contents.

## OPTIONS

### K - KU

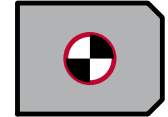


6 x M8x15

### KEY

### KU

### P PINS



**P13 - Ø13 H7.**

### Order Options: Model (W) ( $\alpha$ )-Option



**ASGN 0150 35-K**  
**ASGN 0150 35-P13**  
**ASGN 0150 35-P13-K**



### SPARE PARTS:

- ⑤ Slider guide 2
- ⑦ Slider Guide Plate
- ⑧ Slide Plate 1
- ⑫ Coil Spring
- ⑬ Internal Positive Return

## COMPONENTS

No.	Description	Qty.	Material
①	Cam Driver	1	GG25
②	Cam Slider	1	GG25
③	Cam Holder	1	GG25
④	Slide Guide 1	1	CK45
⑤	Slide Guide 2	1	Bronze + G
⑥	Upper Plate	2	CK45
⑦	Slider Guide Plate	2	Bronze + G
⑧	Slide Plate 1	2	Bronze + G
⑨	Security Guide pin	1	CK45
⑩	Stopper Plate	1	CK45
⑪	Spring Guide Plate	1	CK45
⑫	Coil Spring	1	TJH50-203
⑬	Internal Positive Return	1	Bronze + G
⑭	External Positive Return	1	CK45
⑮	Bearing	1	NUTR15

No.	Description	Qty.	Material
⑯	Shaft	1	CK45
⑰	Roller Body	1	CK45
⑱	Bushing	1	Bronze + G
⑲	Bearing Guide	1	CK45
⑳	Slide Plate 2	4	CK45

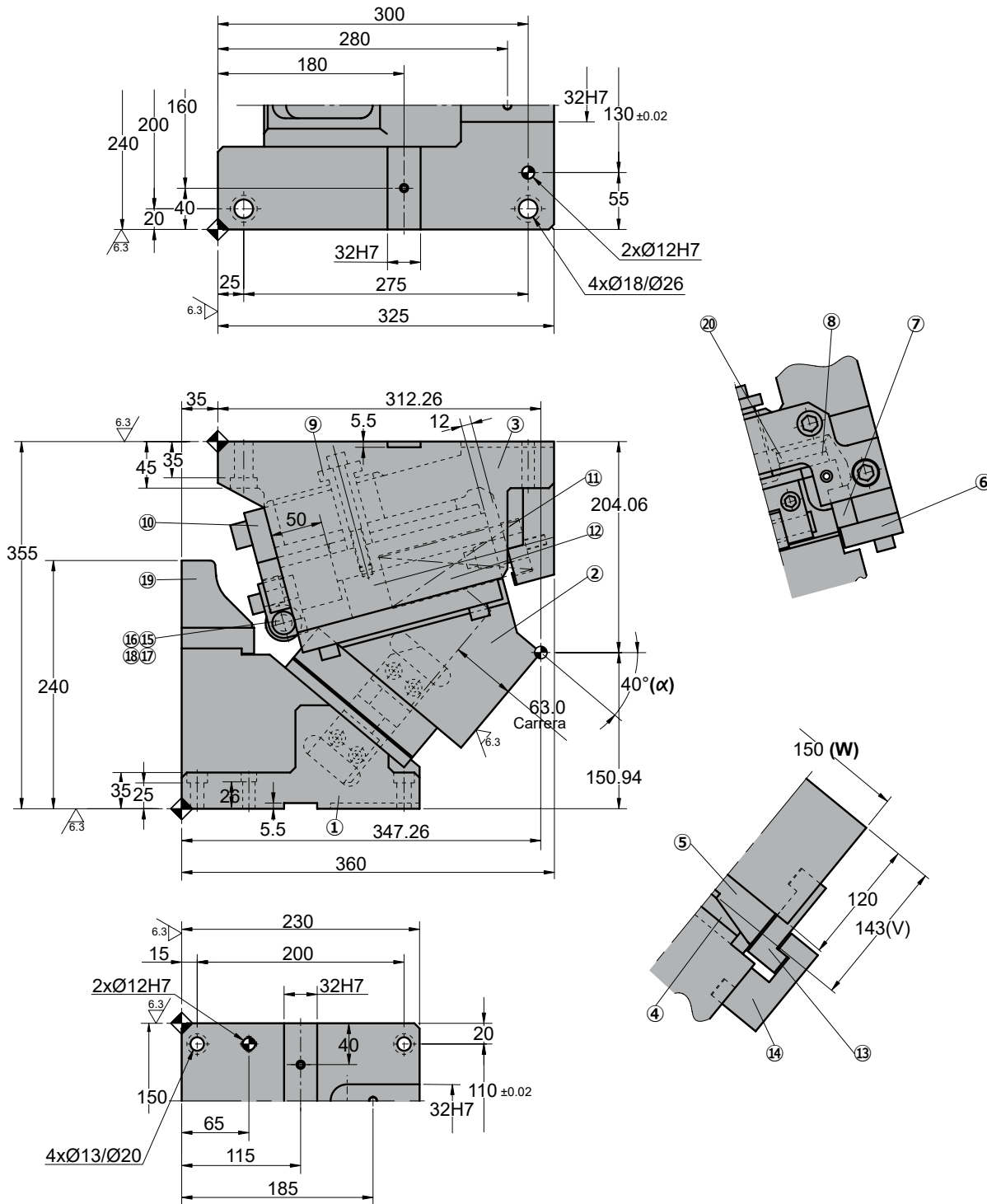


# ASGN 0150

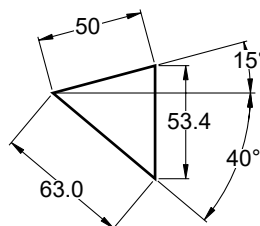
Aerial cam for pierce



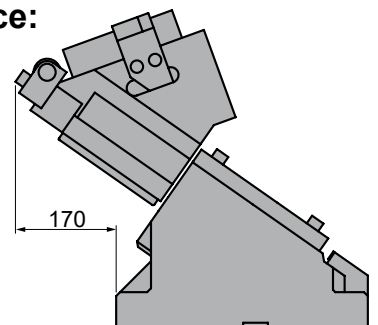
## ASGN 0150 40



### Cam diagram:



### Disassembling space:





# ASGN 0150

Aerial cam for pierce

Stroke (mm)	Working force kN - (tons)		Spring Force N - (kgf)		Weight (Kg)	Model	W (mm)	$\alpha$ (mm)
	(1 Million Strokes)	(300.000 Strokes)	Initial F <sub>0</sub>	Final F <sub>1</sub>				
63.0	147.0 (15.0)	294.0 (30.0)	862.4 (87.9)	7022.4 (715.9)	114.7	<b>ASGN</b>	<b>0150</b>	<b>40</b>

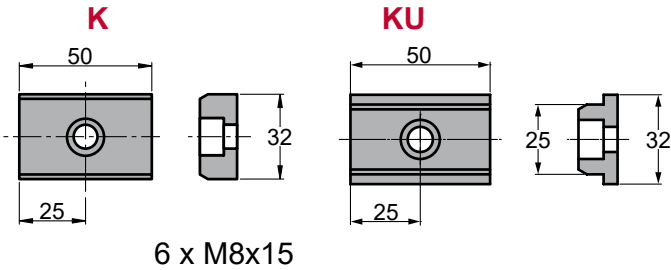


Order: **Model (W) ( $\alpha$ )**  
**ASGN 0150 40**

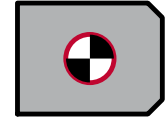
Standard order example according to catalog sheet. Add options applying options table contents.

## OPTIONS

### K - KU



### P PINS



**P13 - Ø13 H7.**

### Order Options: Model (W) ( $\alpha$ )-Option



**ASGN 0150 40-K**  
**ASGN 0150 40-P13**  
**ASGN 0150 40-P13-K**



### SPARE PARTS:

- ⑤ Slider guide 2
- ⑦ Slider Guide Plate
- ⑧ Slide Plate 1
- ⑫ Coil Spring
- ⑬ Internal Positive Return

## COMPONENTS

No.	Description	Qty.	Material
①	Cam Driver	1	GG25
②	Cam Slider	1	GG25
③	Cam Holder	1	GG25
④	Slide Guide 1	1	CK45
⑤	Slide Guide 2	1	Bronze + G
⑥	Upper Plate	2	CK45
⑦	Slider Guide Plate	2	Bronze + G
⑧	Slide Plate 1	2	Bronze + G
⑨	Security Guide pin	1	CK45
⑩	Stopper Plate	1	CK45
⑪	Spring Guide Plate	1	CK45
⑫	Coil Spring	1	TJH50-203
⑬	Internal Positive Return	1	Bronze + G
⑭	External Positive Return	1	CK45
⑮	Bearing	1	NUTR15

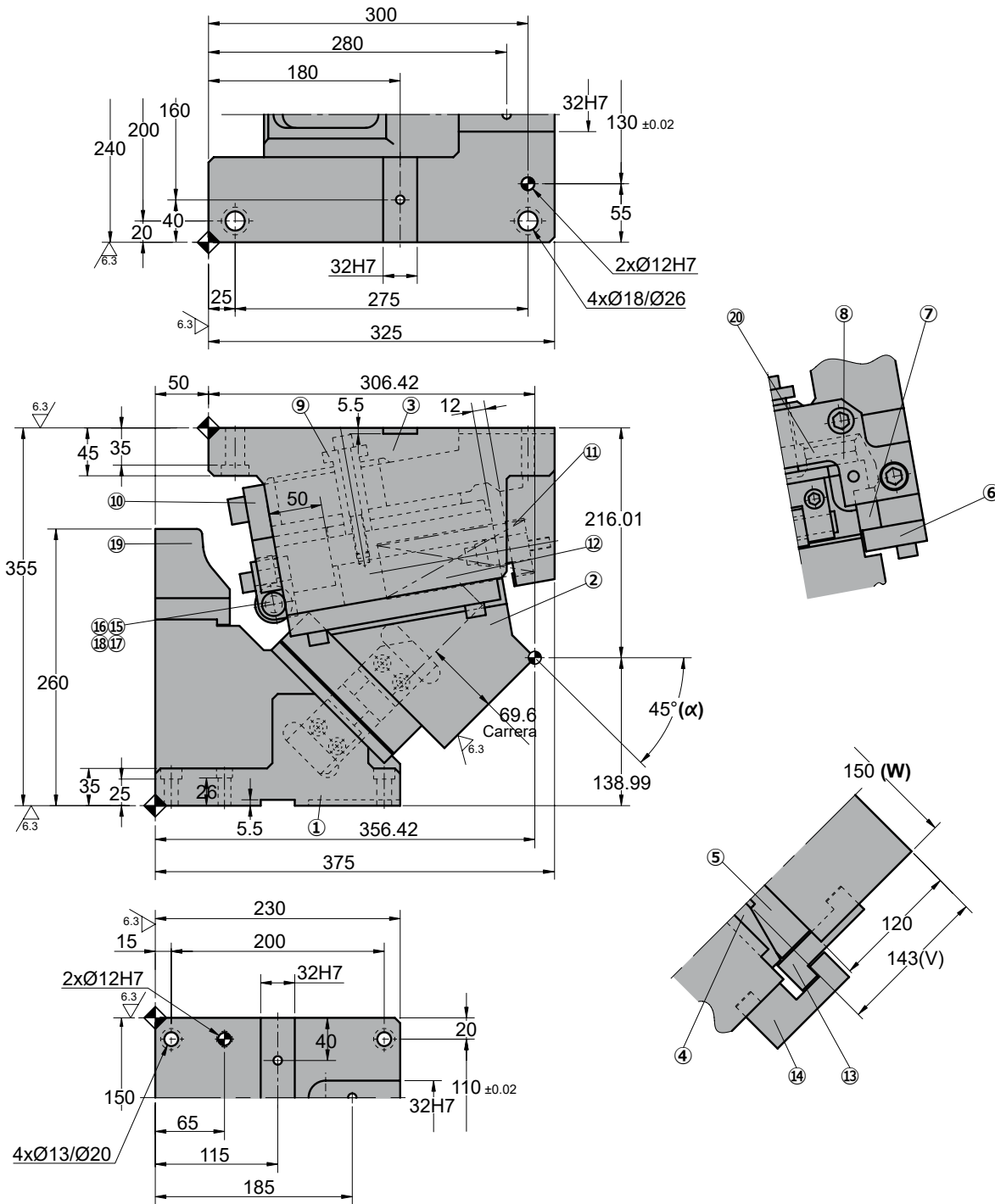
No.	Description	Qty.	Material
⑯	Shaft	1	CK45
⑰	Roller Body	1	CK45
⑱	Bushing	1	Bronze + G
⑲	Bearing Guide	1	CK45
⑳	Slide Plate 2	4	CK45

# ASGN 0150

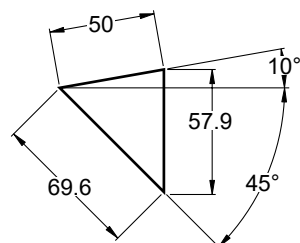
Aerial cam for pierce



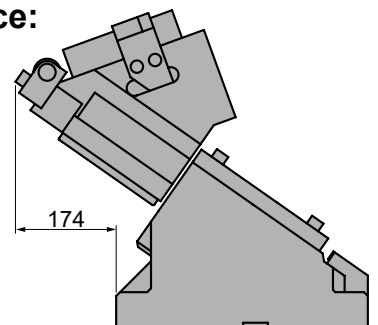
## ASGN 0150 45



### Cam diagram:



### Disassembling space:





# ASGN 0150

Aerial cam for pierce

Stroke (mm)	Working force kN - (tons)		Spring Force N - (kgf)		Weight (Kg)	Model	W (mm)	$\alpha$ (mm)
	(1 Million Strokes)	(300.000 Strokes)	Initial F <sub>0</sub>	Final F <sub>1</sub>				
69.6	147.0 (15.0)	294.0 (30.0)	862.4 (87.9)	7022.4 (715.9)	115.8	<b>ASGN</b>	<b>0150</b>	<b>45</b>

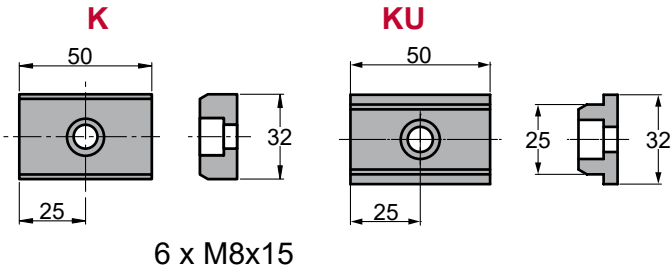


Order: Model (W) ( $\alpha$ )  
**ASGN 0150 45**

Standard order example according to catalog sheet.  
 Add options applying options table contents.

## OPTIONS

### K - KU

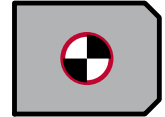


6 x M8x15

### KEY

### KU

### P PINS



**P13 - Ø13 H7.**

### Order Options: Model (W) ( $\alpha$ )-Option



**ASGN 0150 45-K**

**ASGN 0150 45-P13**

**ASGN 0150 45-P13-K**



### SPARE PARTS:

- ⑤ Slider guide 2
- ⑦ Slider Guide Plate
- ⑧ Slide Plate 1
- ⑫ Coil Spring
- ⑬ Internal Positive Return

## COMPONENTS

No.	Description	Qty.	Material
①	Cam Driver	1	GG25
②	Cam Slider	1	GG25
③	Cam Holder	1	GG25
④	Slide Guide 1	1	CK45
⑤	Slide Guide 2	1	Bronze + G
⑥	Upper Plate	2	CK45
⑦	Slider Guide Plate	2	Bronze + G
⑧	Slide Plate 1	2	Bronze + G
⑨	Security Guide pin	1	CK45
⑩	Stopper Plate	1	CK45
⑪	Spring Guide Plate	1	CK45
⑫	Coil Spring	1	TJH50-203
⑬	Internal Positive Return	1	Bronze + G
⑭	External Positive Return	1	CK45
⑮	Bearing	1	NUTR15

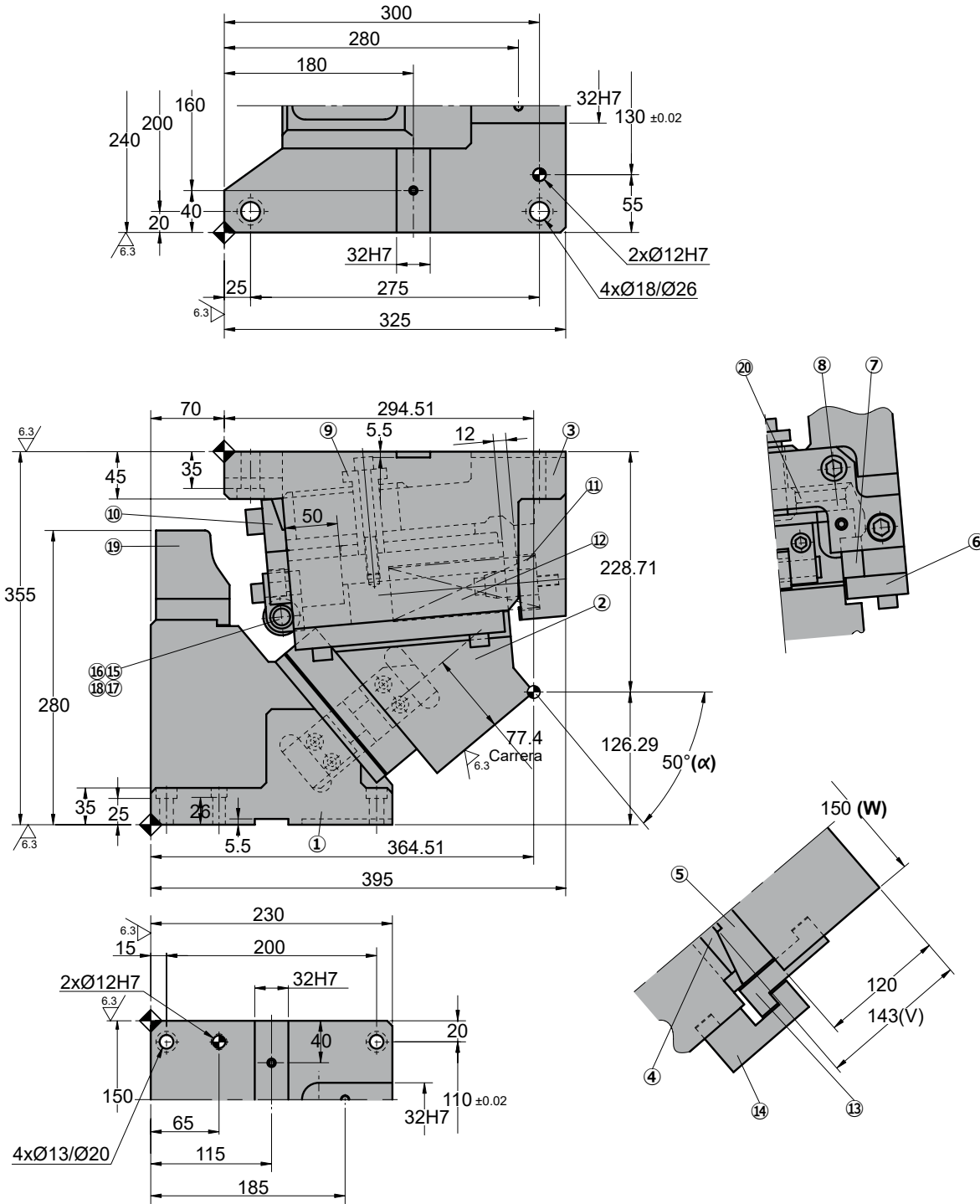
No.	Description	Qty.	Material
⑯	Shaft	1	CK45
⑰	Roller Body	1	CK45
⑱	Bushing	1	Bronze + G
⑲	Bearing Guide	1	CK45
⑳	Slide Plate 2	4	CK45

# ASGN 0150

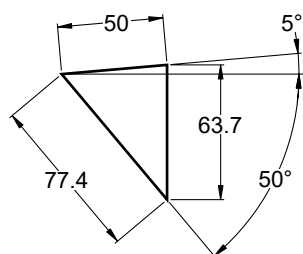
Aerial cam for pierce



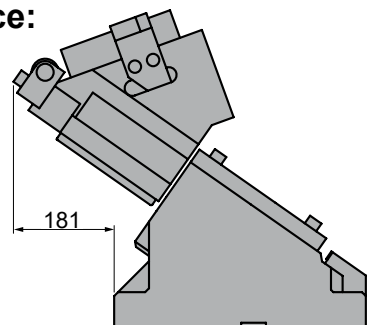
## ASGN 0150 50



◦Cam diagram:



◦Disassembling space:





# ASGN 0150

Aerial cam for pierce

Stroke (mm)	Working force kN - (tons)		Spring Force N - (kgf)		Weight (Kg)	Model	W (mm)	$\alpha$ (mm)
	(1 Million Strokes)	(300.000 Strokes)	Initial F <sub>0</sub>	Final F <sub>1</sub>				
77.4	147.0 (15.0)	294.0 (30.0)	862.4 (87.9)	7022.4 (715.9)	117.5	<b>ASGN</b>	<b>0150</b>	<b>50</b>

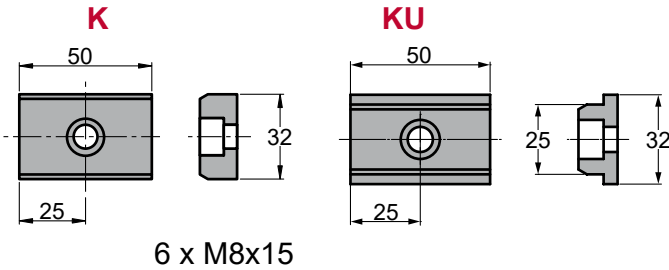


Order: **Model (W) ( $\alpha$ )**  
**ASGN 0150 50**

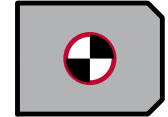
Standard order example according to catalog sheet.  
 Add options applying options table contents.

## OPTIONS

### K - KU



### P PINS



**P13 - Ø13 H7.**

### Order Options: Model (W) ( $\alpha$ )-Option



**ASGN 0150 50-K**  
**ASGN 0150 50-P13**  
**ASGN 0150 50-P13-K**



### SPARE PARTS:

- ⑤ Slider guide 2
- ⑦ Slider Guide Plate
- ⑧ Slide Plate 1
- ⑫ Coil Spring
- ⑬ Internal Positive Return

## COMPONENTS

No.	Description	Qty.	Material
①	Cam Driver	1	GG25
②	Cam Slider	1	GG25
③	Cam Holder	1	GG25
④	Slide Guide 1	1	CK45
⑤	Slide Guide 2	1	Bronze + G
⑥	Upper Plate	2	CK45
⑦	Slider Guide Plate	2	Bronze + G
⑧	Slide Plate 1	2	Bronze + G
⑨	Security Guide pin	1	CK45
⑩	Stopper Plate	1	CK45
⑪	Spring Guide Plate	1	CK45
⑫	Coil Spring	1	TJH50-203
⑬	Internal Positive Return	1	Bronze + G
⑭	External Positive Return	1	CK45
⑮	Bearing	1	NUTR15

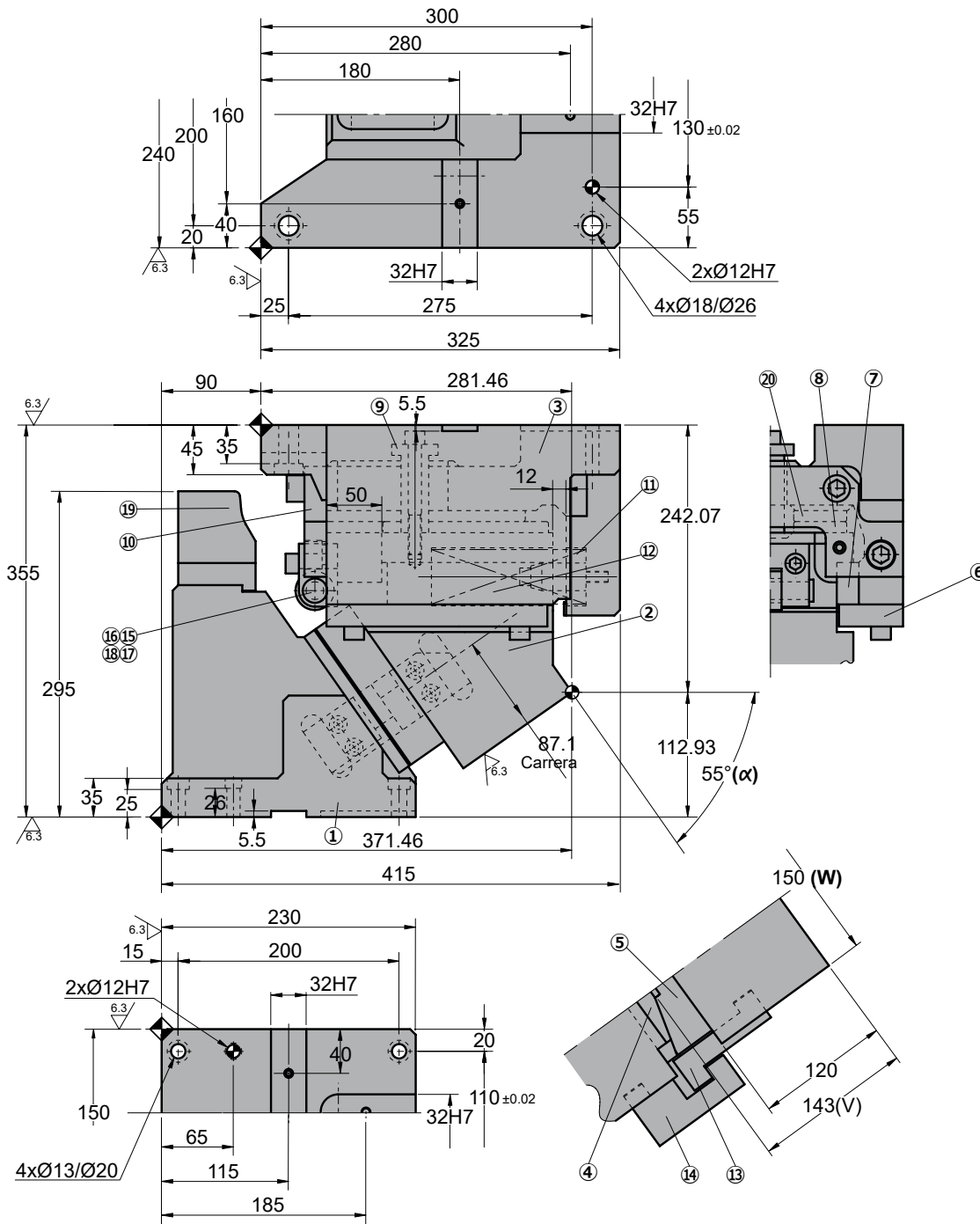
No.	Description	Qty.	Material
⑯	Shaft	1	CK45
⑰	Roller Body	1	CK45
⑱	Bushing	1	Bronze + G
⑲	Bearing Guide	1	CK45
⑳	Slide Plate 2	4	CK45

# ASGN 0150

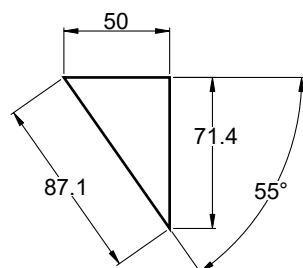
Aerial cam for pierce



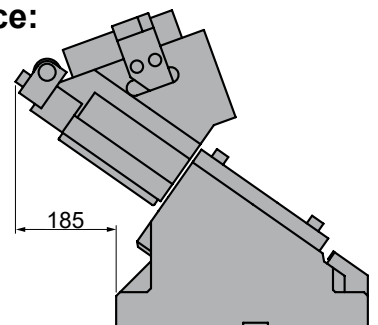
## ASGN 0150 55



◦Cam diagram:



◦Disassembling space:







# ASGN 0150

Aerial cam for pierce

Stroke (mm)	Working force kN - (tons)		Spring Force N - (kgf)		Weight (Kg)	Model	W (mm)	$\alpha$ (mm)
	(1 Million Strokes)	(300.000 Strokes)	Initial F <sub>0</sub>	Final F <sub>1</sub>				
87.1	147.0 (15.0)	294.0 (30.0)	862.4 (87.9)	7022.4 (715.9)	117.5	<b>ASGN</b>	<b>0150</b>	<b>55</b>

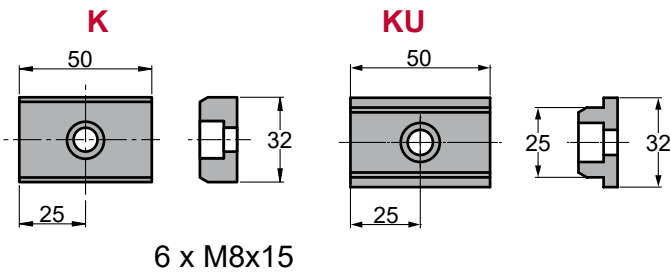


Order: **Model (W) ( $\alpha$ )**  
**ASGN 0150 55**

Standard order example according to catalog sheet. Add options applying options table contents.

## OPTIONS

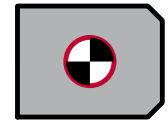
### K - KU



### KEY

### KU

### P PINS



**P13 - Ø13 H7.**

### Order Options: Model (W) ( $\alpha$ )-Option



**ASGN 0150 55-K**  
**ASGN 0150 55-P13**  
**ASGN 0150 55-P13-K**



### SPARE PARTS:

- ⑤ Slider guide 2
- ⑦ Slider Guide Plate
- ⑧ Slide Plate 1
- ⑫ Coil Spring
- ⑬ Internal Positive Return

## COMPONENTS

No.	Description	Qty.	Material
①	Cam Driver	1	GG25
②	Cam Slider	1	GG25
③	Cam Holder	1	GG25
④	Slide Guide 1	1	CK45
⑤	Slide Guide 2	1	Bronze + G
⑥	Upper Plate	2	CK45
⑦	Slider Guide Plate	2	Bronze + G
⑧	Slide Plate 1	2	Bronze + G
⑨	Security Guide pin	1	CK45
⑩	Stopper Plate	1	CK45
⑪	Spring Guide Plate	1	CK45
⑫	Coil Spring	1	TJH50-203
⑬	Internal Positive Return	1	Bronze + G
⑭	External Positive Return	1	CK45
⑮	Bearing	1	NUTR15

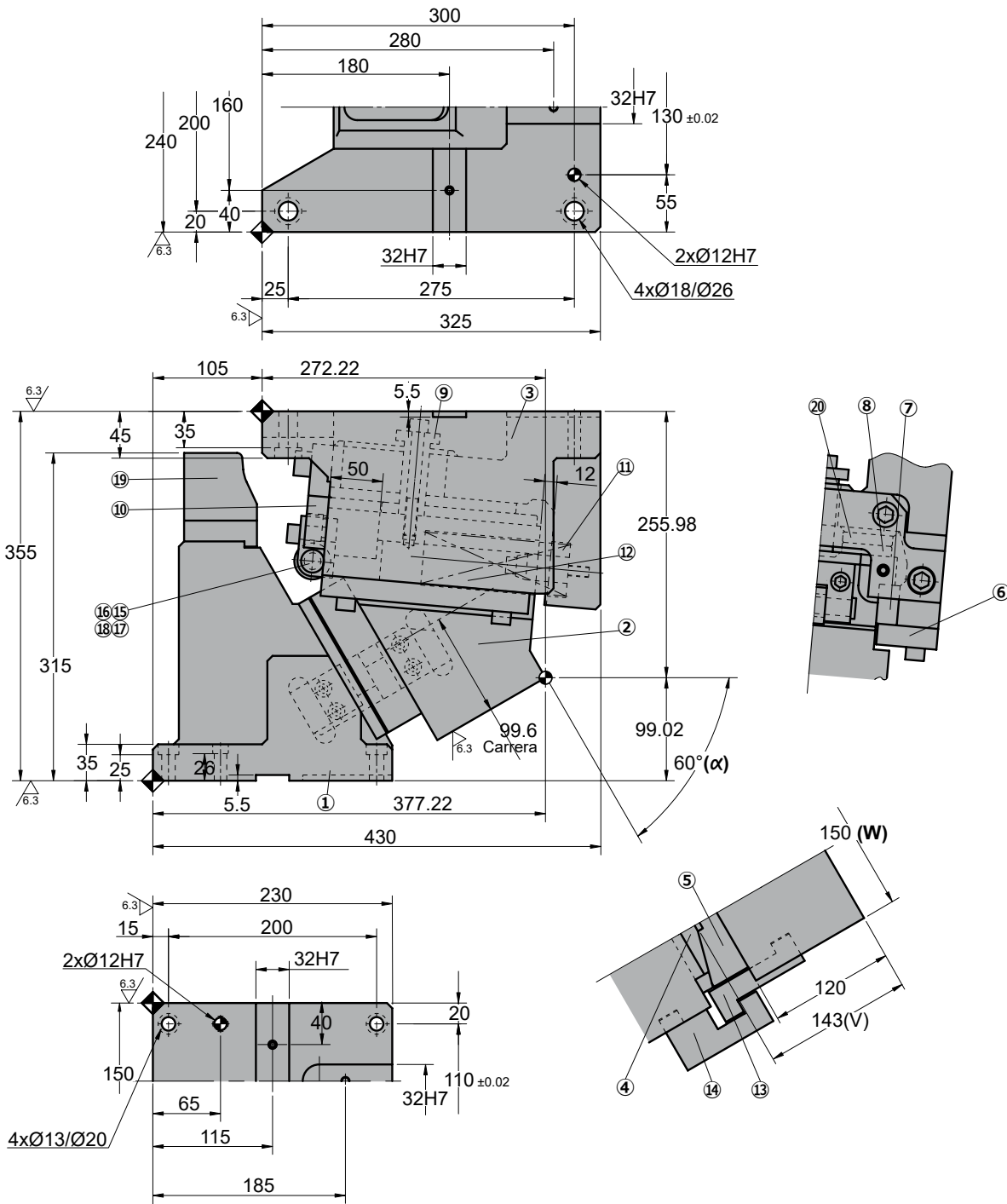
No.	Description	Qty.	Material
⑯	Shaft	1	CK45
⑰	Roller Body	1	CK45
⑱	Bushing	1	Bronze + G
⑲	Bearing Guide	1	CK45
⑳	Slide Plate 2	4	CK45

# ASGN 0150

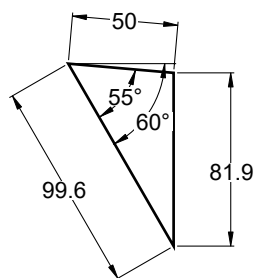
Aerial cam for pierce



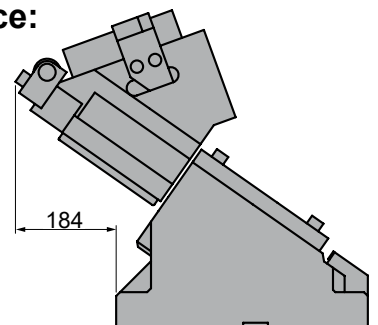
## ASGN 0150 60



◦Cam diagram:



◦Disassembling space:





# ASGN 0150

Aerial cam for pierce

Stroke (mm)	Working force kN - (tons)		Spring Force N - (kgf)		Weight (Kg)	Model	W (mm)	$\alpha$ (mm)
	(1 Million Strokes)	(300.000 Strokes)	Initial F <sub>0</sub>	Final F <sub>1</sub>				
99.6	147.0 (15.0)	294.0 (30.0)	862.4 (87.9)	7022.4 (715.9)	122.0	<b>ASGN</b>	<b>0150</b>	<b>60</b>

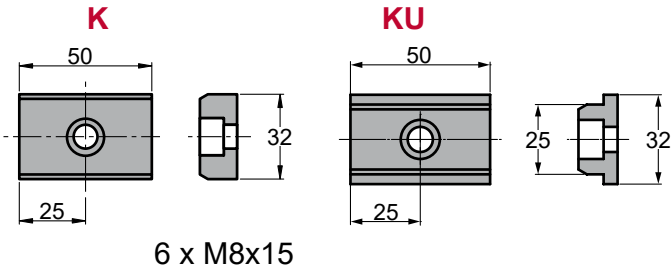


Order: Model (W) ( $\alpha$ )  
**ASGN 0150 60**

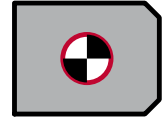
Standard order example according to catalog sheet.  
 Add options applying options table contents.

## OPTIONS

### K - KU



### P PINS



**P13 - Ø13 H7.**

### Order Options: Model (W) ( $\alpha$ )-Option



**ASGN 0150 60-K**  
**ASGN 0150 60-P13**  
**ASGN 0150 60-P13-K**



### SPARE PARTS:

- ⑤ Slider guide 2
- ⑦ Slider Guide Plate
- ⑧ Slide Plate 1
- ⑫ Coil Spring
- ⑬ Internal Positive Return

## COMPONENTS

No.	Description	Qty.	Material
①	Cam Driver	1	GG25
②	Cam Slider	1	GG25
③	Cam Holder	1	GG25
④	Slide Guide 1	1	CK45
⑤	Slide Guide 2	1	Bronze + G
⑥	Upper Plate	2	CK45
⑦	Slider Guide Plate	2	Bronze + G
⑧	Slide Plate 1	2	Bronze + G
⑨	Security Guide pin	1	CK45
⑩	Stopper Plate	1	CK45
⑪	Spring Guide Plate	1	CK45
⑫	Coil Spring	1	TJH50-203
⑬	Internal Positive Return	1	Bronze + G
⑭	External Positive Return	1	CK45
⑮	Bearing	1	NUTR15

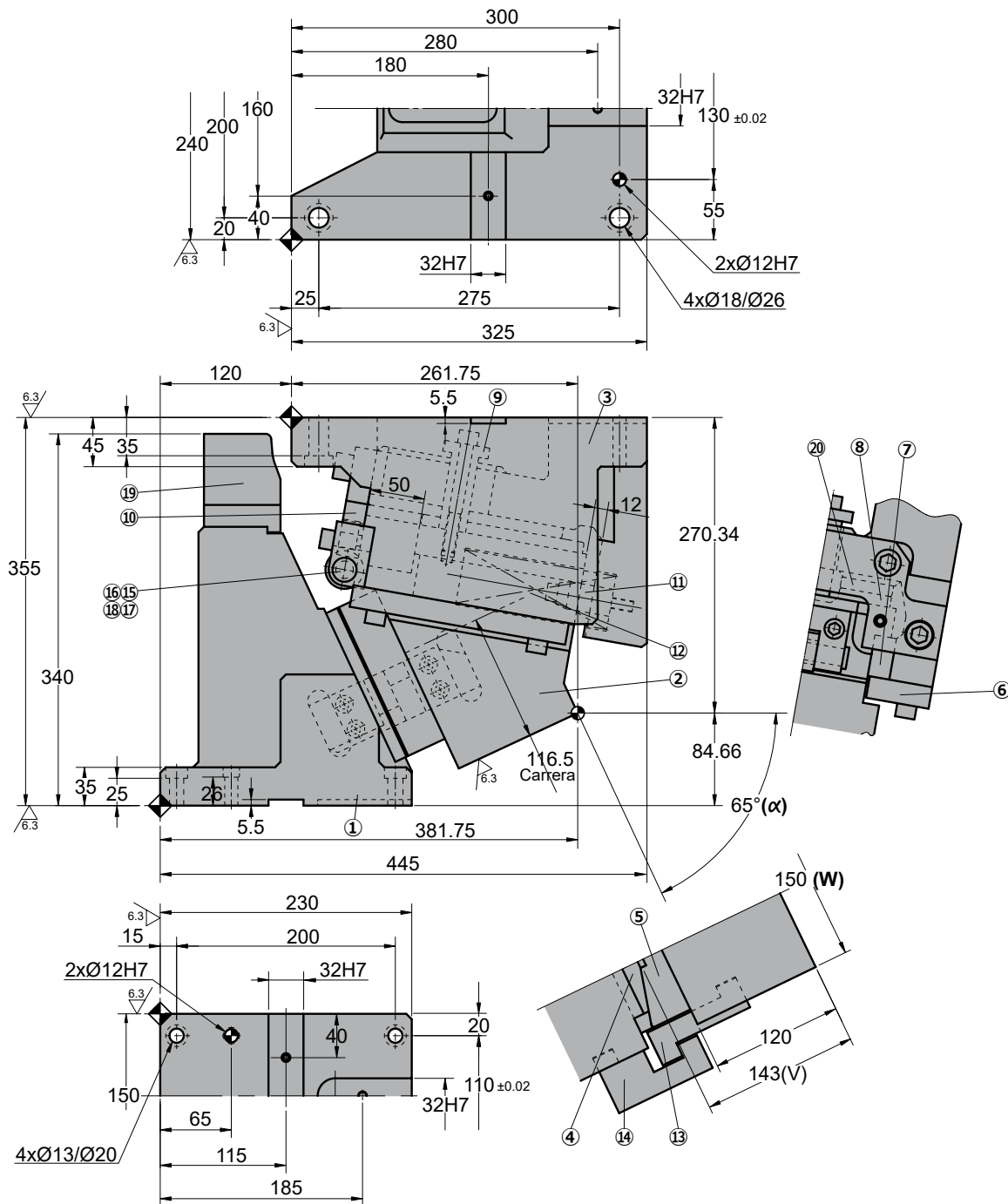
No.	Description	Qty.	Material
⑯	Shaft	1	CK45
⑰	Roller Body	1	CK45
⑱	Bushing	1	Bronze + G
⑲	Bearing Guide	1	CK45
⑳	Slide Plate 2	4	CK45

# ASGN 0150

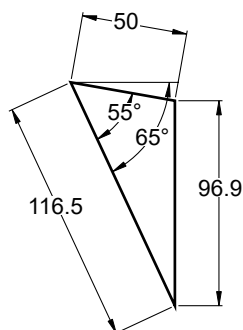
Aerial cam for pierce



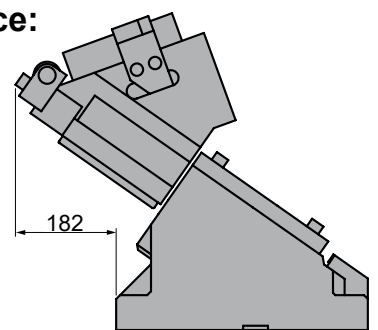
## ASGN 0150 65



◦Cam diagram:



◦Disassembling space:





# ASGN 0150

Aerial cam for pierce

Stroke (mm)	Working force kN - (tons)		Spring Force N - (kgf)		Weight (Kg)	Model	W (mm)	$\alpha$ (mm)
	(1 Million Strokes)	(300.000 Strokes)	Initial F <sub>0</sub>	Final F <sub>1</sub>				
116.5	147.0 (15.0)	294.0 (30.0)	862.4 (87.9)	7022.4 (715.9)	126.0	<b>ASGN</b>	<b>0150</b>	<b>65</b>

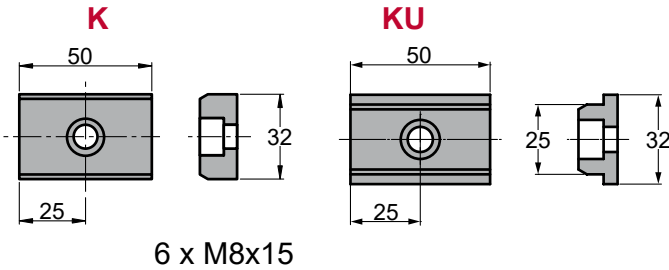


Order: **Model (W) ( $\alpha$ )**  
**ASGN 0150 65**

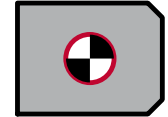
Standard order example according to catalog sheet.  
 Add options applying options table contents.

## OPTIONS

### K - KU



### P PINS



**P13 - Ø13 H7.**

### Order Options: Model (W) ( $\alpha$ )-Option



**ASGN 0150 65-K**  
**ASGN 0150 65-P13**  
**ASGN 0150 65-P13-K**



### SPARE PARTS:

- ⑤ Slider guide 2
- ⑦ Slider Guide Plate
- ⑧ Slide Plate 1
- ⑫ Coil Spring
- ⑬ Internal Positive Return

## COMPONENTS

No.	Description	Qty.	Material
①	Cam Driver	1	GG25
②	Cam Slider	1	GG25
③	Cam Holder	1	GG25
④	Slide Guide 1	1	CK45
⑤	Slide Guide 2	1	Bronze + G
⑥	Upper Plate	2	CK45
⑦	Slider Guide Plate	2	Bronze + G
⑧	Slide Plate 1	2	Bronze + G
⑨	Security Guide pin	1	CK45
⑩	Stopper Plate	1	CK45
⑪	Spring Guide Plate	1	CK45
⑫	Coil Spring	1	TJH50-203
⑬	Internal Positive Return	1	Bronze + G
⑭	External Positive Return	1	CK45
⑮	Bearing	1	NUTR15

No.	Description	Qty.	Material
⑯	Shaft	1	CK45
⑰	Roller Body	1	CK45
⑱	Bushing	1	Bronze + G
⑲	Bearing Guide	1	CK45
⑳	Slide Plate 2	4	CK45

# ASGN 0150



*Aerial cam for pierce*